



PRODUCT SPECIFICATIONS

ITEM NO. _____
 PROJECT: _____
 DATE: _____

Refrigerated Self-Service Case 24"D- 50
 HZ Electrical

- B32Z 34 1/2"L x 24"D x 82 1/4"H
- B42Z 45 1/2"L x 24"D x 82 1/4"H
- B62Z 66 3/8"L x 24"D x 82 1/4"H
- B82Z 88 3/8"L x 24"D x 82 1/4"H



MODEL SHOWN: B32Z

STANDARD FEATURES

- Temp-Integrated average product temperature of 41°F
- Light-T-8 top light(s)
- Shelves-Shelving removable and adjustable on 1" centers
- Compressor air-Compressor air front intake and front discharge. Front panel cannot be blocked
- Evaporator pan-Electric condensate pan (self-contained refig. only)
- Warranty-One year parts & labor; 1-5 year compressor warranty
- Deck-Removable deck pans provide complete access to evaporator coil & refrigeration connections
- Ends-Full end panel w/mirror interior

	STANDARD SPECIFICATION	OPTION(s)
ELECTRICAL CONNECT	<input type="checkbox"/> Electrical leads (self-cont.)	<input type="checkbox"/> Electrical leads (remote)
LOWER FRONT PANEL COLOR	<input type="checkbox"/> Black exterior	<input type="checkbox"/> Painted exterior (specify color) <input type="checkbox"/> Stainless steel exterior <input type="checkbox"/> White exterior
UPPER REAR	<input type="checkbox"/> Solid back panel, galvanized	<input type="checkbox"/> Solid back panel, white <input type="checkbox"/> Solid back panel, black
INTERIOR COLOR	<input type="checkbox"/> Black interior	<input type="checkbox"/> White interior <input type="checkbox"/> Stainless steel interior
EXTERIOR COLOR	<input type="checkbox"/> Black exterior	<input type="checkbox"/> Laminated exterior (Wilsonart/Formica premium) <input type="checkbox"/> Laminated exterior (Wilsonart/Formica non-premium) <input type="checkbox"/> Stainless steel exterior <input type="checkbox"/> White exterior
COVER/CURTAIN	<input type="checkbox"/> None	<input type="checkbox"/> Solid security cover, removable, locking <input type="checkbox"/> Night curtain, retractable, non-locking
REFRIGERATION	<input type="checkbox"/> Breeze™ refrigeration	<input type="checkbox"/> Whisper Cool compressor blanket (Breeze only)(n/a on B32) <input type="checkbox"/> Note: Remote doesn't incl Conds unit. Floor drain reqd. <input type="checkbox"/> Remote w/thermostat, solenoid & TXV <input type="checkbox"/> Remote w/TXV
BASE SUPPORT	<input type="checkbox"/> Casters	<input type="checkbox"/> Levelers
PRICE TAG MOULDING	<input type="checkbox"/> None	<input type="checkbox"/> Price tag moulding
SHELVING	<input type="checkbox"/> Solid shelves, non-lighted	<input type="checkbox"/> Solid shelves, lighted (T-8)



Note: Information is subject to change at any time.

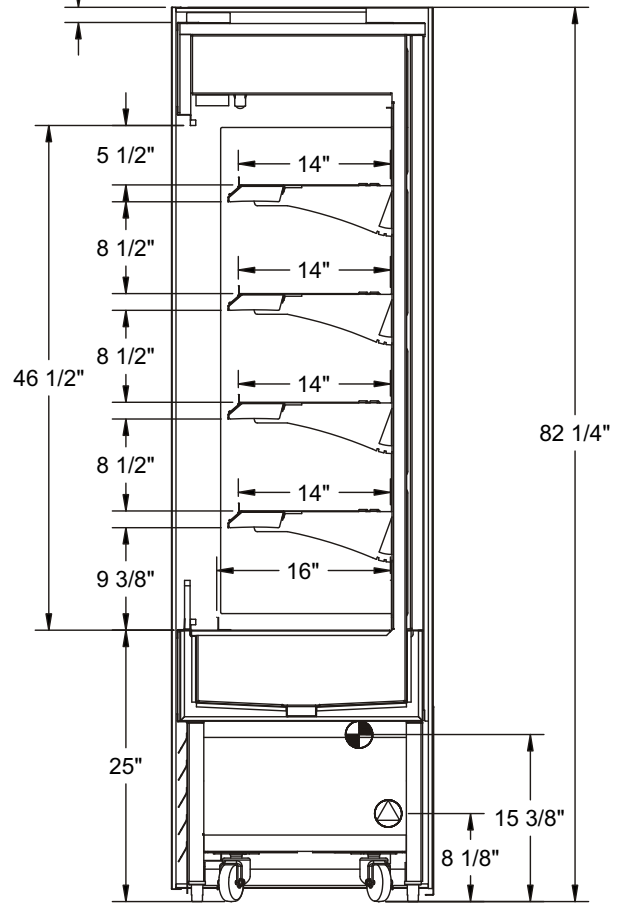
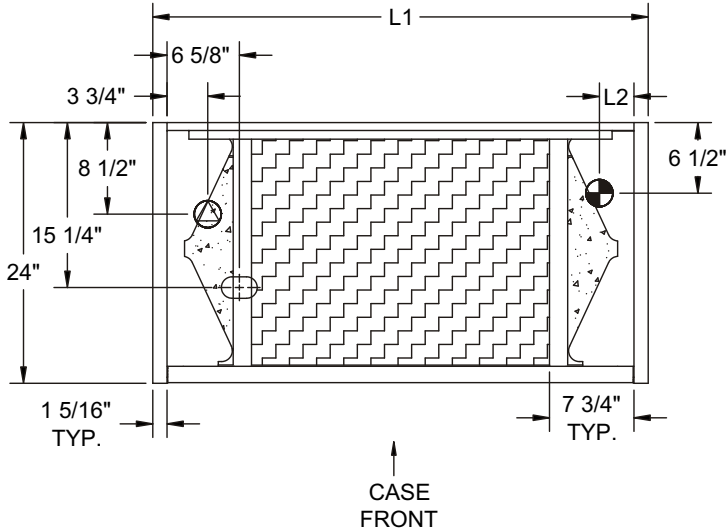
888 E. Porter Rd. Muskegon, MI 49441 Phone: 231.798.8888 Fax: 231.798.4960 www.structuralconcepts.com

Intended Use of Display Area: Packaged refrigerated products
 Integrated Product Temperature (IPT): 41°F
 Intended Environment: Designed to operate in ambient conditions of 75°F / 55% relative humidity.

PLAN VIEW

SIDE VIEW

TOP OF HEADER AREA MUST NOT BE OBSTRUCTED IF POSITIONED IN A ALCOVE



NOTE: ALL DIMENSIONS APPROXIMATE

- ELECTRICAL JUNCTION BOX (SUPPLIED WITH 6" LEADS OR POWER CORD).
- LOCATION OF CONDENSATE DRAIN TUBE (SUPPLIED WITH 3/4" OR 1 1/2" PVC DRAIN TUBE).
- REFRIGERATION LINE CONNECTION.
- REMOTE CASE SERVICE ACCESS AREA.
- SELF-CONTAINED CASE SERVICE ACCESS AREA.
- DRY CASE SERVICE ACCESS AREA.

Model	Self-Contained Refrigeration/Dry					Remote Refrigeration w/Leads			Ship Wt	Frt CIs
	L1*	L2*	Volts++	Amps	NEMA Plug	Volts++	Amps***	BTUH		
B32Z	34 1/2	3 1/8	220/1/50	14.43	Leads	220/1/50	0.99	5924	860	110
B42Z	45 1/2	3 1/8	220/1/50	17.34	Leads	220/1/50	1.14	7511	870	110
B62Z	66 3/8	3 1/8	220/1/50	19.52	Leads	220/1/50	1.32	11647	1100	110
B82Z	88 3/8	3 1/8	220/1/50	24.43	Leads	220/1/50	1.53	15038	1400	110

++ Operating range for 120 volt rating is 110-120 volts; operating range for 220 volt rating is 208-230 volts.

** Requires 3 wires + ground

*** Does not include electric defrost on freezer models

REGULATORY APPROVALS

- ETL Listed Certified to CAN/CSA 22.2
- ETL Listed Conforms to UL 471
- ETL Sanitation Conforms to NSF 7

Important Note:

- 1) Performance issues (product temperatures, water on floor, etc.) caused by adverse conditions are not covered by warranty.
- 2) Keep unit at least 15' from exterior doors, overhead HVAC vents, or any air curtain disruption.
- 3) End panels must be tightly joined or kept at least 6" away from any structure to prevent condensation.
- 4) Do not expose unit to direct sunlight or any heat source (ovens, fryers, etc.).
- 5) Keep at least 8" of clearance above unit for air discharge (self-contained only).
- 6) Tile floors, low ceilings, or small rooms will increase noise level. Whisper Cool compressor blanket or remote recommended.