



PRODUCT SPECIFICATIONS

ITEM NO. \_\_\_\_\_  
 PROJECT: \_\_\_\_\_  
 DATE: \_\_\_\_\_

Multi-Temperature Self-Service  
 Specialty Island Case Refrigerated, Heated, Soup Display

CMIA 87 9/16"L x 53 9/16"D x 63 7/16"H

STANDARD FEATURES



MODEL SHOWN: CMIA

- Compressor air-Compressor air intake in one side & out other side. All louvered panels cannot be blocked
- Refrigerated area includes: T8 top light, 2 solid shelves, non-lighted & integrated average product temperature of 41° F and removable deck pans
- Heated area includes: (2) fixed solid, non-lighted, heated shelves, indiv. heat controls for each level, integrated average product temperature of 160° F, stainless steel finish only
- Soup area includes: (2) 7 qt stainless steel soup kettles, Indv. Heat controls; integrated average product temperature of 160° F, shared on/off switch, storage area for supplies and (1) suspended glass sneeze guard
- Base-Levelers
- Top-Glass top
- Warranty-One year parts & labor; 1-5 year compressor warranty

	STANDARD SPECIFICATION	OPTION(s)
ELECTRICAL CONNECT	<input type="checkbox"/> 6 ft straight blade power cord (self cont.)	<input type="checkbox"/> 6' locking blade power cord (top exit) <input type="checkbox"/> 6 ft locking power cord (self cont.) <input type="checkbox"/> Electrical leads (remote)
LOWER FRONT PANEL COLOR	<input type="checkbox"/> Black exterior	<input type="checkbox"/> Stainless steel (w/stainless ext. only)
MISCELLANEOUS	<input type="checkbox"/> None	<input type="checkbox"/> Clean Sweep® coil cleaner
REFRIGERATED INTERIOR COLOR	<input type="checkbox"/> Black interior	<input type="checkbox"/> Stainless steel interior
SHELVING-REFRIG SECTION	<input type="checkbox"/> Solid shelf, non-lighted	<input type="checkbox"/> Additional solid shelf, lighted (T-8) <input type="checkbox"/> Additional solid shelf, non-lighted <input type="checkbox"/> Solid shelves, lighted (T-8)
SOUP DISPLAY SURFACE	<input type="checkbox"/> Stainless steel	<input type="checkbox"/> Corian (specify color)
EXTERIOR COLOR	<input type="checkbox"/> Black exterior	<input type="checkbox"/> Stainless steel exterior <input type="checkbox"/> Painted exterior (specify color) <input type="checkbox"/> Laminated exterior (Wilsonart/Formica non-premium) <input type="checkbox"/> Laminated exterior (Wilsonart/Formica premium)
REFRIGERATION	<input type="checkbox"/> Breeze™ refrigeration	<input type="checkbox"/> Note: Remote doesn't incl Conds unit. Floor drain reqd. <input type="checkbox"/> Remote w/thermostat, solenoid & TXV <input type="checkbox"/> Remote w/TXV
THERMOMETER	<input type="checkbox"/> Digital fahrenheit thermometer	<input type="checkbox"/> Digital celsius thermometer
PRICE TAG MOULDING	<input type="checkbox"/> None	<input type="checkbox"/> Price tag moulding
BUMPER	<input type="checkbox"/> 1" bumper on all sides, double strip (specify color)	



Note: Information is subject to change at any time.  
 888 E. Porter Rd. Muskegon, MI 49441 Phone: 231.798.8888 Fax: 231.798.4960 www.structuralconcepts.com

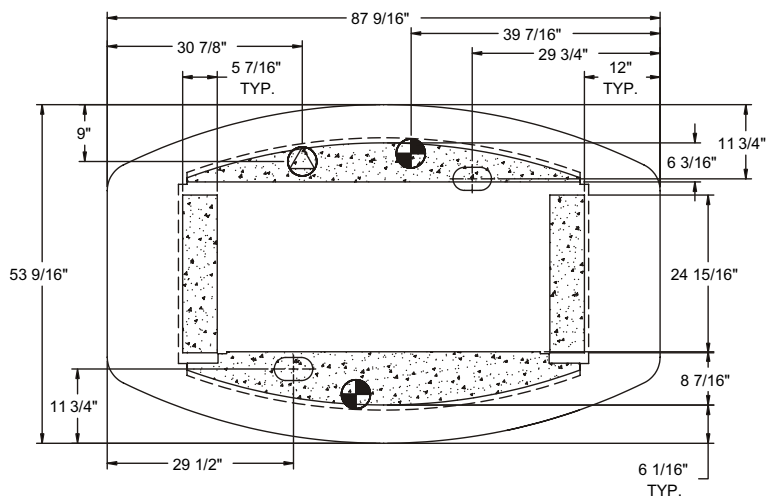
## PRODUCT SPECIFICATIONS

Intended Use of Display Area: Packaged refrigerated products

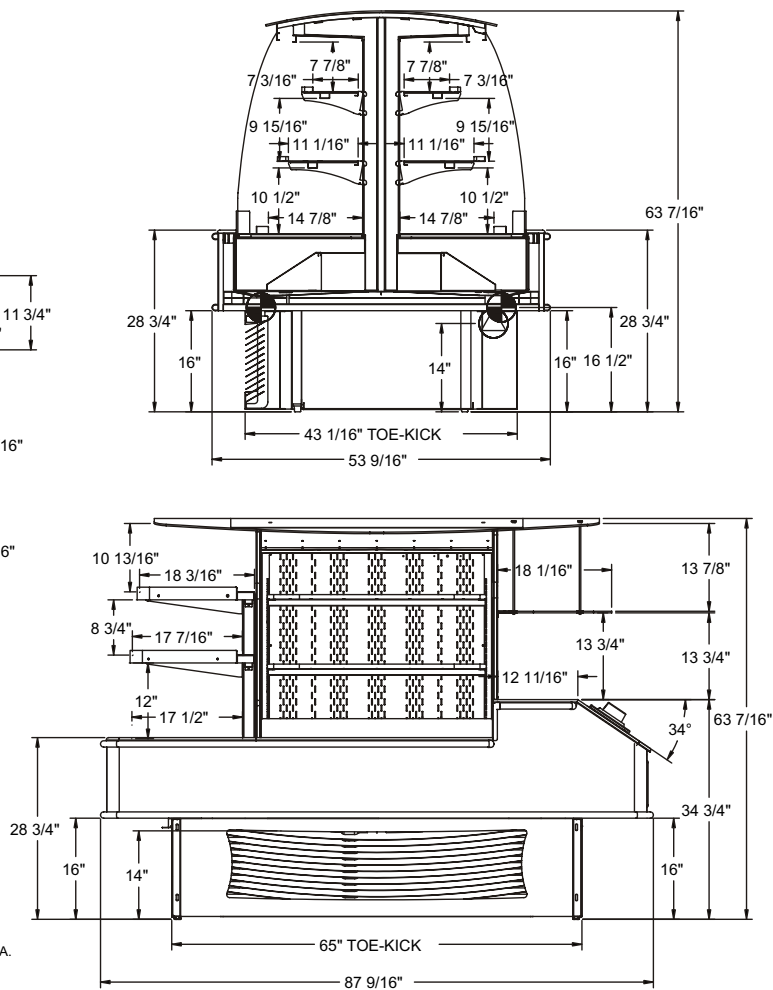
Integrated Product Temperature (IPT): 41°F

Intended Environment: Designed to operate in ambient conditions of 75°F / 55% relative humidity.

### PLAN VIEW



### SIDE VIEW



#### NOTE: ALL DIMENSIONS APPROXIMATE

- ELECTRICAL JUNCTION BOX (SUPPLIED WITH 6" LEADS OR POWER CORD).
- REMOTE CASE SERVICE ACCESS AREA.
- LOCATION OF CONDENSATE DRAIN TUBE (SUPPLIED WITH 3/4" OR 1 1/2" PVC DRAIN TUBE).
- SELF-CONTAINED CASE SERVICE ACCESS AREA.
- REFRIGERATION LINE CONNECTION.
- DRY CASE SERVICE ACCESS AREA.

Model	L1*	L2*	Refrigeration/Heat							Nema Plug	BTUH	Ship Wt	Frt Cls
			Volts (60 Hz)			Phase	Amps	Watts	Wires				
CMIA	87 9/16	0	Heat	Circuit 1	208	1	21.0	5663	2+G	Leads	-	1350	110
			Self-Contained	Circuit 2	208	1	15.7	3257	2+G				

#### REGULATORY APPROVALS

- ETL Listed Certified to CAN/CSA 22.2
- ETL Listed Conforms to UL 197

- ETL Listed Conforms to UL 471
- ETL Sanitation Conforms to NSF 4

- ETL Sanitation Conforms to NSF 7

#### Important Notes:

- 1) Performance issues (product temperatures, water on floor, etc.) caused by adverse conditions are not covered by warranty.
- 2) Keep unit at least 15' from exterior doors, overhead HVAC vents, or any air curtain disruption.