



PRODUCT SPECIFICATIONS

ITEM NO. _____
 PROJECT: _____
 DATE: _____

Refrigerated Self-Service Case With Tray Slide Compatibility



MODEL SHOWN: CO3660RT

NOTE: SHOWN W/ OPTIONAL TRAY SLIDE

- CO3660RT 36 1/4"L x 33 1/4"D x 68 1/8"H
- CO4760RT 47 1/4"L x 33 1/4"D x 68 1/8"H
- CO5960RT 59 1/4"L x 33 1/4"D x 68 1/8"H
- CO7160RT 71 1/4"L x 33 1/4"D x 68 1/8"H

NOTE: Roll Down Security Cover Option Increases Height of Case by 7"

STANDARD FEATURES

- Compressor air-Compressor air front intake, rear discharge. Front panel cannot be blocked. Must remain 4 in. from wall
- Light-T-8 top light(s)
- Upper front-Flat front panel
- Evaporator pan-Electric condensate pan (self-contained refig. only)
- Warranty-One year parts & labor; 1-5 year compressor warranty
- Temp-Integrated average product temperature of 41°F or less
- Deck-Removable deck pans provide complete access to evaporator coil & refrigeration connections
- Shelves-Shelving removable and adjustable on 1" centers
- Upper rear-4"D removable rear wall spacer bracket.
- Base-6"H legs

	STANDARD SPECIFICATION	OPTION(s)
END PANEL EDGE	<input type="checkbox"/> Vinyl end panel edge (matches interior color)	<input type="checkbox"/> Laminated end panel edge (Q4296)
LWR LOUVERED FRNT PANEL COLOR	<input type="checkbox"/> Black exterior	<input type="checkbox"/> Stainless steel exterior <input type="checkbox"/> White exterior
MISCELLANEOUS	<input type="checkbox"/> None	<input type="checkbox"/> Clean Sweep® coil cleaner
TRAYSLIDE	<input type="checkbox"/> None	<input type="checkbox"/> Stainless steel trayslide
UPPER REAR	<input type="checkbox"/> Solid back panel, galvanized	<input type="checkbox"/> Solid back panel, stainless steel <input type="checkbox"/> Solid rear swinging door(s) w/lock <input type="checkbox"/> Solid back panel, black
INTERIOR COLOR	<input type="checkbox"/> Black interior	<input type="checkbox"/> White interior <input type="checkbox"/> Stainless steel interior
EXTERIOR COLOR	<input type="checkbox"/> Black exterior	<input type="checkbox"/> Stainless steel exterior <input type="checkbox"/> Laminated exterior (Wilsonart/Formica non-premium) <input type="checkbox"/> Laminated exterior (Wilsonart/Formica premium)
COVER/CURTAIN	<input type="checkbox"/> None	<input type="checkbox"/> Solid security cover, removable, locking <input type="checkbox"/> Roll down security cover, locking (inc. ht. 7") <input type="checkbox"/> Night curtain, retractable, non-locking
REFRIGERATION	<input type="checkbox"/> Breeze™ refrigeration	<input type="checkbox"/> EnergyWise refrigeration <input type="checkbox"/> Whisper Cool compressor blanket (Breeze only) <input type="checkbox"/> Remote w/thermostat, solenoid & TXV <input type="checkbox"/> Breeze-E refrigeration <input type="checkbox"/> Remote w/TXV
END PANEL LEFT	<input type="checkbox"/> Full end panel w/mirror interior	<input type="checkbox"/> Cutaway end panel <input type="checkbox"/> Counter cutaway end panel (Q4292) <input type="checkbox"/> No end panel (for same case to case connections)
END PANEL RIGHT	<input type="checkbox"/> Full end panel w/mirror interior	<input type="checkbox"/> Cutaway end panel <input type="checkbox"/> Counter cutaway end panel (Q4292) <input type="checkbox"/> Case to case acrylic end
SHELVING	<input type="checkbox"/> Solid shelves, non-lighted	<input type="checkbox"/> Additional solid shelf, lighted (LED) <input type="checkbox"/> Solid shelves, lighted (LED) <input type="checkbox"/> Additional solid shelf, lighted (T-8) <input type="checkbox"/> Additional solid shelf, non-lighted <input type="checkbox"/> Solid shelves, lighted (T-8)



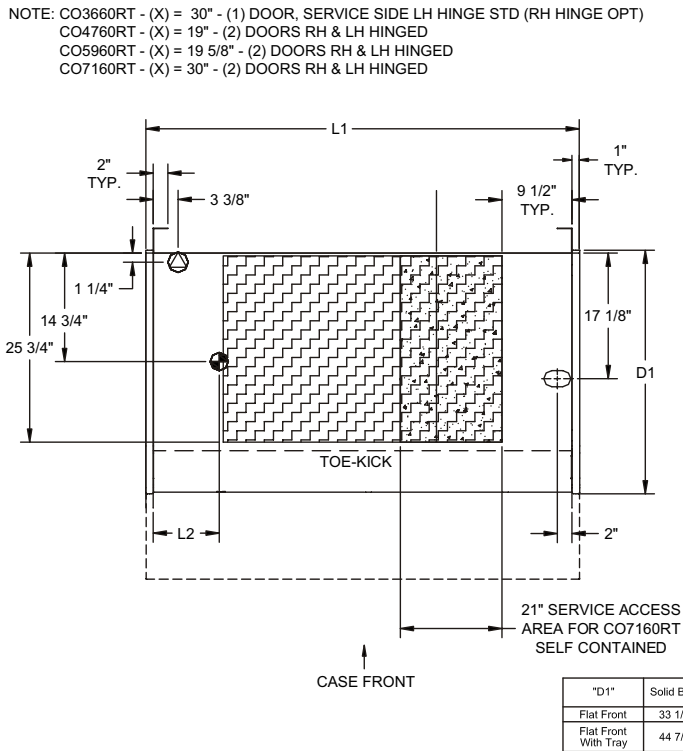
Note: Information is subject to change at any time.

888 E. Porter Rd. Muskegon, MI 49441 Phone: 231.798.8888 Fax: 231.798.4960 www.structuralconcepts.com

PRODUCT SPECIFICATIONS

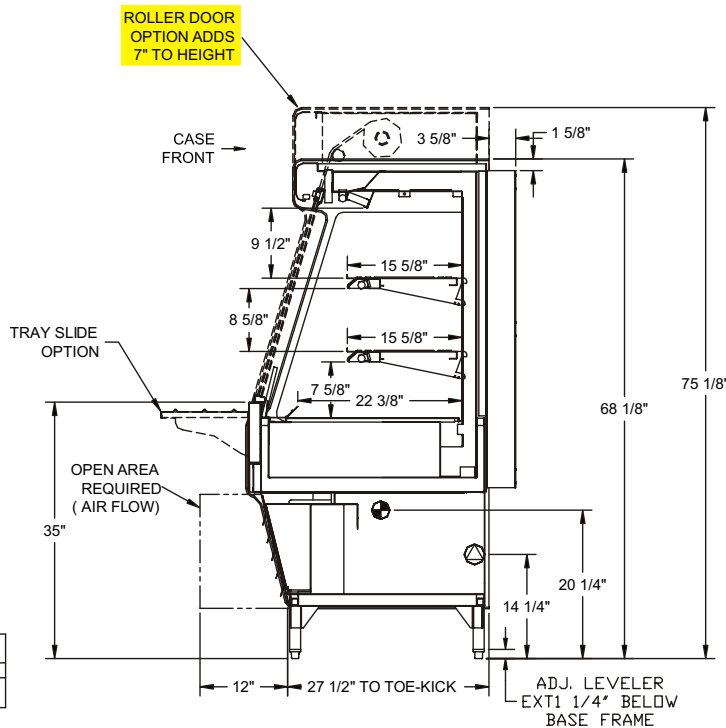
Intended Use of Display Area: Packaged refrigerated products
 Integrated Product Temperature (IPT): 41°F
 Intended Environment: Designed to operate in ambient conditions of 75°F / 55% relative humidity.

PLAN VIEW



"D1"	Solid Back	Rear Doors
Flat Front	33 1/4"	35 1/8"
Flat Front With Tray	44 7/8"	46 3/4"

SIDE VIEW



NOTE: ALL DIMENSIONS APPROXIMATE

- ELECTRICAL JUNCTION BOX (SUPPLIED WITH 6\"/>
- LOCATION OF CONDENSATE DRAIN TUBE (SUPPLIED WITH 3/4\"/>
- REFRIGERATION LINE CONNECTION.
- REMOTE CASE SERVICE ACCESS AREA.
- SELF-CONTAINED CASE SERVICE ACCESS AREA.
- DRY CASE SERVICE ACCESS AREA.

Standard Refrigeration (based on Type I conditions: 75°F, 55% Relative Humidity)

Model	Self-Contained Refrigeration/Dry		Remote Refrigeration w/Leads										
	L1*	L2*	Volts++	Amps (std lights)	Amps (LED lights)	NEMA Plug	Volts	Amps (std lights)***	Amps (LED lights)***	BTUH	kWh/day	Ship Wt	Frt Cls
CO3660RT	36	5 1/8	120/1/60	16.59	15.97	5-20 P	120/1/60	2.32	1.7	3973	25.1	800	110
CO4760RT	47	11	220/1/60**	11.77	11.65	14-20 P	120/1/60	1.87	1.75	4017	27	950	110
CO5960RT	59	22 1/2	220/1/60**	13.49	13.37	14-20 P	120/1/60	2.69	2.57	4729	33	1100	110
CO7160RT	71	18 1/2	220/1/60**	14.46	13.22	14-20 P	120/1/60	3.16	1.92	5452	36.8	1200	110

Breeze-E Refrigeration (based on Type II conditions: 80°F, 60% Relative Humidity)****

Model	Self-Contained Refrigeration/Dry		Remote Refrigeration w/Leads										
	L1*	L2*	Volts++	Amps (std lights)	Amps (LED lights)	NEMA Plug	Volts	Amps (std lights)***	Amps (LED lights)***	BTUH	kWh/day	Ship Wt	Frt Cls
CO3660RT	36	5 1/8	120/1/60	16.08	15.46	5-20 P	120/1/60	2.32	1.7	3973	29.7	800	110
CO4760RT	47	11	220/1/60**	16.92	16.8	14-20 P	120/1/60	1.87	1.75	4017	31.7	950	110
CO5960RT	59	22 1/2	220/1/60**	14.09	13.97	14-20 P	120/1/60	2.69	2.57	4729	41.8	1100	110
CO7160RT	71	18 1/2	220/1/60**	15.53	14.29	14-20 P	120/1/60	3.16	1.92	5452	47.6	1200	110

EnergyWise Refrigeration (based on Type I conditions: 75°F, 55% Relative Humidity)

Model	Self-Contained Refrigeration/Dry		Remote Refrigeration w/Leads										
	L1*	L2*	Volts++	Amps (std lights)	Amps (LED lights)	NEMA Plug	Volts	Amps (std lights)***	Amps (LED lights)***	BTUH	kWh/day	Ship Wt	Frt Cls
CO3660RT	36	5 1/8	120/1/60	8.04	7.42	5-20 P	120/1/60	2.32	1.7	3973	14.1	800	110
CO4760RT	47	11	120/1/60	12	11.88	14-20 P	120/1/60	1.87	1.75	4017	14.5	950	110
CO5960RT	59	22 1/2	120/1/60	14.5	14.38	14-20 P	120/1/60	2.69	2.57	4729	17.5	1100	110
CO7160RT	71	18 1/2	220/1/60**	10.53	9.29	14-20 P	120/1/60	3.16	1.92	5452	20.9	1200	110

++Operating range for 120 volt rating is 110-120 volts; operating range for 220 volt rating is 208-230 volts.

** Requires 3 wires + ground

*** Does not include electric defrost on freezer models

**** Energy consumption will be less under Type I conditions; Example: 10% Less on CO5978R

REGULATORY APPROVALS

- ETL Listed Certified to CAN/CSA 22.2
- ETL Sanitation Conforms to NSF 7
- ETL Listed Conforms to UL 471

Important Notes:

- 1) Performance issues (product temperatures, water on floor, etc.) caused by adverse conditions are not covered by warranty.
- 2) Keep unit at least 15' from exterior doors, overhead HVAC vents, or any air curtain disruption.
- 3) End panels must be tightly joined or kept at least 6" away from any structure to prevent condensation.
- 4) Do not expose unit to direct sunlight or any heat source (ovens, fryers, etc.).
- 5) Keep at least 8" of clearance above unit for air discharge (self-contained only).
- 6) Tile floors, low ceilings, or small rooms will increase noise level. Whisper Cool compressor blanket or remote recommended.