



PRODUCT SPECIFICATIONS

ITEM NO. _____
PROJECT: _____
DATE: _____

Refrigerated Self-Service Case - 50 HZ
Electrical

- CO3660RZ 36 1/4"L x 33 1/4"D x 63 1/8"H
CO4760RZ 47 1/4"L x 33 1/4"D x 63 1/8"H
CO5960RZ 59 1/4"L x 33 1/4"D x 63 1/8"H
CO7160RZ 71 1/4"L x 33 1/4"D x 63 1/8"H



MODEL SHOWN: CO3660RZ

STANDARD FEATURES

- Light-T-8 top light(s)
Evaporator pan-Electric condensate pan (self-contained refig. only)
Compressor air-Compressor air front intake, rear discharge
Warranty-One year parts & labor; 1-5 year compressor warranty
Temp-Integrated average product temperature of 41°F or less
Deck-Removable deck pans provide complete access to evaporator coil & refrigeration connections
Shelves-Shelving removable and adjustable on 1" centers
Base-Casters

Table with 3 columns: STANDARD SPECIFICATION, OPTION(S), and various product options like ELECTRICAL CONNECT, END PANEL EDGE, etc.



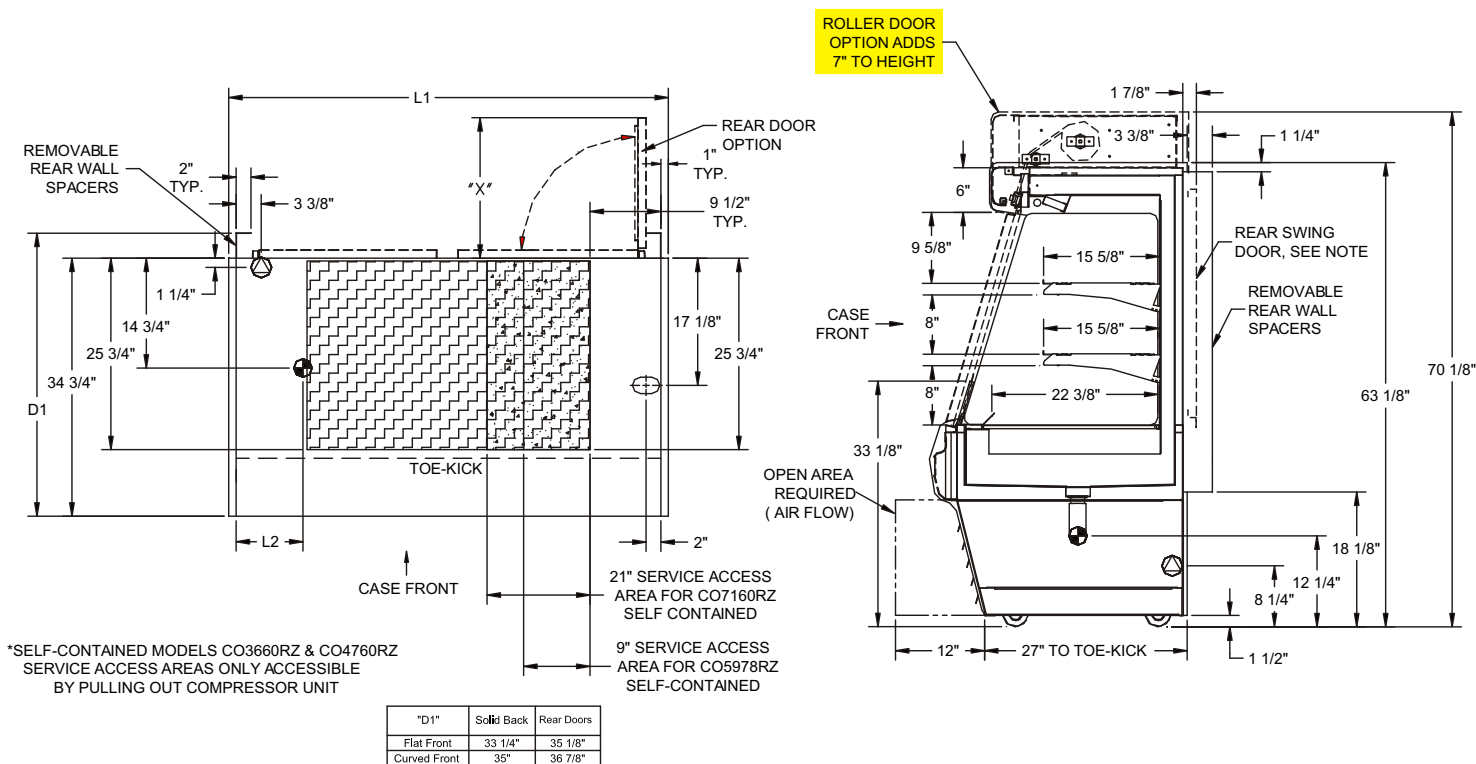
Note: Information is subject to change at any time.
888 E. Porter Rd. Muskegon, MI 49441 Phone: 231.798.8888 Fax: 231.798.4960 www.structuralconcepts.com

Intended Use of Display Area: Packaged refrigerated products
 Integrated Product Temperature (IPT): 41°F
 Intended Environment: Designed to operate in ambient conditions of 75°F / 55% relative humidity.

PLAN VIEW

SIDE VIEW

NOTE: CO3660RZ - (X) = 30" - (1) DOOR, SERVICE SIDE LH HINGE STD (RH HINGE OPT)
 CO4760RZ - (X) = 19" - (2) DOORS RH & LH HINGED
 CO5960RZ - (X) = 19 5/8" - (2) DOORS RH & LH HINGED
 CO7160RZ - (X) = 30" - (2) DOORS RH & LH HINGED



NOTE: ALL DIMENSIONS APPROXIMATE

- ELECTRICAL JUNCTION BOX (SUPPLIED WITH 6" LEADS OR POWER CORD).
- REFRIGERATION LINE CONNECTION.
- SELF-CONTAINED CASE SERVICE ACCESS AREA.
- REMOTE CASE SERVICE ACCESS AREA.
- LOCATION OF CONDENSATE DRAIN TUBE (SUPPLIED WITH 3/4" OR 1 1/2" PVC DRAIN TUBE).
- DRY CASE SERVICE ACCESS AREA.

Model	Self-Contained Refrigeration/Dry					Remote Refrigeration w/Leads			Ship Wt	Frt CIs
	L1*	L2*	Volts++	Amps	NEMA Plug	Volts++	Amps***	BTUH		
CO3660RZ	36 1/4	5 1/8	220/1/50	11.26	Leads	220/1/50	0.76	3973	960	110
CO4760RZ	47 1/4	11	220/1/50	10.96	Leads	220/1/50	0.76	4017	1150	110
CO5960RZ	59 1/4	22 1/2	220/1/50	12.05	Leads	220/1/50	0.85	4729	1350	110
CO7160RZ	71 1/4	18 1/2	220/1/50	15.62	Leads	220/1/50	1.52	5452	1550	110

++ Operating range for 120 volt rating is 110-120 volts; operating range for 220 volt rating is 208-230 volts.

** Requires 3 wires + ground

*** Does not include electric defrost on freezer models

REGULATORY APPROVALS

- ETL Listed Certified to CAN/CSA 22.2
- ETL Listed Conforms to UL 471
- ETL Sanitation Conforms to NSF 7

Important Note:

- 1) Performance issues (product temperatures, water on floor, etc.) caused by adverse conditions are not covered by warranty.
- 2) Keep unit at least 15' from exterior doors, overhead HVAC vents, or any air curtain disruption.
- 3) End panels must be tightly joined or kept at least 6" away from any structure to prevent condensation.
- 4) Do not expose unit to direct sunlight or any heat source (ovens, fryers, etc.).
- 5) Keep at least 8" of clearance above unit for air discharge (self-contained only).
- 6) Tile floors, low ceilings, or small rooms will increase noise level. Whisper Cool compressor blanket or remote recommended.