

Refrigerated Self-Service Case



MODEL SHOWN: CO3660R

- CO3660R 36 1/4"L x 33 1/4"D x 63 1/8"H
- CO4760R 47 1/4"L x 33 1/4"D x 63 1/8"H
- CO5960R 59 1/4"L x 33 1/4"D x 63 1/8"H
- CO7160R 71 1/4"L x 33 1/4"D x 63 1/8"H

NOTE: Roll Down Security Cover Option Increases Height of Case by 7"

STANDARD FEATURES

- Compressor air-Compressor air front intake, rear discharge. Front panel cannot be blocked. Must remain 4 in. from wall
- Light-T-8 top light(s)
- Evaporator pan-Electric condensate pan (self-contained refig. only)
- Warranty-One year parts & labor; 1-5 year compressor warranty
- Temp-Integrated average product temperature of 41°F or less
- Deck-Removable deck pans provide complete access to evaporator coil & refrigeration connections
- Shelves-Shelving removable and adjustable on 1" centers

	STANDARD SPECIFICATION	OPTION(s)
END PANEL EDGE	<input type="checkbox"/> Vinyl end panel edge (matches interior color)	<input type="checkbox"/> Laminated end panel edge (Q4296)
LWR LOUVERED FRNT PANEL COLOR	<input type="checkbox"/> Black exterior	<input type="checkbox"/> White exterior <input type="checkbox"/> Stainless steel exterior
MISCELLANEOUS	<input type="checkbox"/> None	<input type="checkbox"/> Clean Sweep® coil cleaner
UPPER FRONT PANEL STYLE	<input type="checkbox"/> Flat front panel	<input type="checkbox"/> Formed ABS (painted)
UPPER REAR	<input type="checkbox"/> Solid back panel, galvanized	<input type="checkbox"/> Solid back panel, stainless steel <input type="checkbox"/> Solid rear swinging door(s) w/lock <input type="checkbox"/> Solid back panel, black
INTERIOR COLOR	<input type="checkbox"/> Black interior	<input type="checkbox"/> White interior <input type="checkbox"/> Stainless steel interior
EXTERIOR COLOR	<input type="checkbox"/> Black exterior	<input type="checkbox"/> Laminated exterior (Wilsonart/Formica premium) <input type="checkbox"/> Laminated exterior (Wilsonart/Formica non-premium) <input type="checkbox"/> Stainless steel exterior
COVER/CURTAIN	<input type="checkbox"/> None	<input type="checkbox"/> Roll down security cover, locking (inc. ht. 7") <input type="checkbox"/> Night curtain, retractable, non-locking <input type="checkbox"/> Solid security cover, removable, locking
REFRIGERATION	<input type="checkbox"/> Breeze™ refrigeration	<input type="checkbox"/> EnergyWise refrigeration <input type="checkbox"/> Whisper Cool compressor blanket (Breeze only) <input type="checkbox"/> Note: Remote doesn't incl Conds unit. Floor drain reqd. <input type="checkbox"/> Remote w/thermostat, solenoid & TXV <input type="checkbox"/> Breeze-E refrigeration <input type="checkbox"/> Remote w/TXV
BASE SUPPORT	<input type="checkbox"/> Casters	<input type="checkbox"/> Seismic levelers (Q4695) <input type="checkbox"/> Levelers
END PANEL LEFT	<input type="checkbox"/> Full end panel w/mirror interior	<input type="checkbox"/> Cutaway end panel <input type="checkbox"/> Counter cutaway end panel (Q4292)
END PANEL RIGHT	<input type="checkbox"/> Full end panel w/mirror interior	<input type="checkbox"/> Cutaway end panel <input type="checkbox"/> Counter cutaway end panel (Q4292)
SHELVING	<input type="checkbox"/> Solid shelves, non-lighted	<input type="checkbox"/> No lip shelves (Q4328), non-lighted (up to 5) <input type="checkbox"/> Additional solid shelf, lighted (LED) <input type="checkbox"/> Solid shelves, lighted (LED) <input type="checkbox"/> Additional solid shelf, lighted (T-8) <input type="checkbox"/> Additional solid shelf, non-lighted <input type="checkbox"/> Solid shelves, lighted (T-8)
BUMPER	<input type="checkbox"/> None	<input type="checkbox"/> 2" bumper on front (specify color)

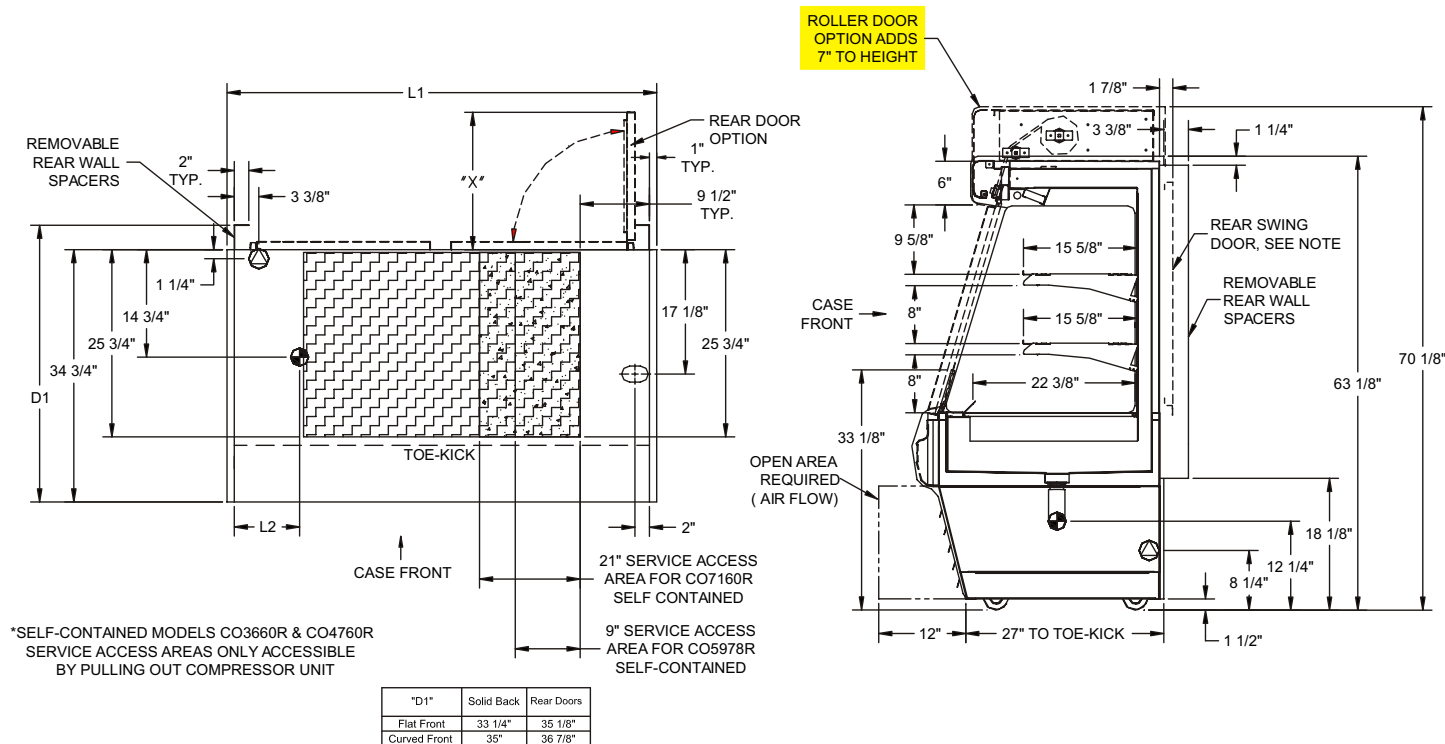
PRODUCT SPECIFICATIONS

Intended Use of Display Area: Packaged refrigerated products
 Integrated Product Temperature (IPT): 41°F
 Intended Environment: Designed to operate in ambient conditions of 75°F / 55% relative humidity.

PLAN VIEW

SIDE VIEW

NOTE: CO3660R - (X) = 30" - (1) DOOR, SERVICE SIDE LH HINGE STD (RH HINGE OPT)
 CO4760R - (X) = 19" - (2) DOORS RH & LH HINGED
 CO5960R - (X) = 19 5/8" - (2) DOORS RH & LH HINGED
 CO7160R - (X) = 30" - (2) DOORS RH & LH HINGED



NOTE: ALL DIMENSIONS APPROXIMATE

- ELECTRICAL JUNCTION BOX (SUPPLIED WITH 6" LEADS OR POWER CORD).
- REFRIGERATION LINE CONNECTION.
- SELF-CONTAINED CASE SERVICE ACCESS AREA.
- LOCATION OF CONDENSATE DRAIN TUBE (SUPPLIED WITH 3/4" OR 1 1/2" PVC DRAIN TUBE).
- REMOTE CASE SERVICE ACCESS AREA.
- DRY CASE SERVICE ACCESS AREA.

Standard Refrigeration (based on Type I conditions: 75°F, 55% Relative Humidity)														
Model	Self-Contained Refrigeration/Dry						Remote Refrigeration w/Leads						Ship Wt	Frt Cls
	L1*	L2*	Volts**	Amps (std lights)	Amps (LED lights)	NEMA Plug	Volts	Amps (std lights)***	Amps (LED lights)***	BTUH	kWh/day			
CO3660R	36 1/4	5 1/8	120/1/60	15.65	15.03	5-20 P	120/1/60	2.32	1.7	3973	25.1	800	110	
CO4760R	47 1/4	11	220/1/60**	11.77	11.65	14-20 P	120/1/60	1.87	1.75	4017	27	950	110	
CO5960R	59 1/4	22 1/2	220/1/60**	12.94	12.82	14-20 P	120/1/60	2.69	2.57	4729	33	1100	110	
CO7160R	71 1/4	18 1/2	220/1/60**	14.89	13.65	14-20 P	120/1/60	3.16	1.92	5452	36.8	1200	110	

Breeze-E Refrigeration (based on Type II conditions: 80°F, 60% Relative Humidity)****														
Model	Self-Contained Refrigeration/Dry						Remote Refrigeration w/Leads						Ship Wt	Frt Cls
	L1*	L2*	Volts**	Amps (std lights)	Amps (LED lights)	NEMA Plug	Volts	Amps (std lights)***	Amps (LED lights)***	BTUH	kWh/day			
CO3660R	36 1/4	5 1/8	120/1/60	16.08	15.46	5-20 P	N/A	3.38	2.2	3973	29.7	800	110	
CO4760R	47 1/4	11	220/1/60**	16.92	16.8	14-20 P	N/A	2.93	1.75	4017	31.7	950	110	
CO5960R	59 1/4	22 1/2	220/1/60**	14.09	13.97	14-20 P	N/A	3.5	2.84	4729	41.8	1100	110	
CO7160R	71 1/4	18 1/2	220/1/60**	15.53	14.29	14-20 P	N/A	7.44	5.58	5452	47.6	1200	110	

EnergyWise Refrigeration (based on Type I conditions: 75°F, 55% Relative Humidity)														
Model	Self-Contained Refrigeration/Dry						Remote Refrigeration w/Leads						Ship Wt	Frt Cls
	L1*	L2*	Volts**	Amps (std lights)	Amps (LED lights)	NEMA Plug	Volts	Amps (std lights)***	Amps (LED lights)***	BTUH	kWh/day			
CO3660R	36 1/4	5 1/8	120/1/60	8.04	7.42	5-20 P	120/1/60	2.32	1.7	3973	14.1	800	110	
CO4760R	47 1/4	11	120/1/60	12	11.88	5-20 P	120/1/60	1.87	1.75	4017	14.5	950	110	
CO5960R	59 1/4	22 1/2	120/1/60	14.5	14.38	5-20 P	120/1/60	2.69	2.57	4729	17.5	1100	110	
CO7160R	71 1/4	18 1/2	220/1/60**	10.53	9.29	14-20 P	120/1/60	3.16	1.92	5452	20.9	1200	110	

**Operating range for 120 volt rating is 110-120 volts; operating range for 220 volt rating is 208-230 volts.

** Requires 3 wires + ground

*** Does not include electric defrost on freezer models

**** Energy consumption will be less under Type I conditions; Example: 10% Less on CO5978R

REGULATORY APPROVALS

- ETL Listed Certified to CAN/CSA 22.2
- ETL Sanitation Conforms to NSF 7
- ETL Listed Conforms to UL 471

Important Notes:

- 1) Performance issues (product temperatures, water on floor, etc.) caused by adverse conditions are not covered by warranty.
- 2) Keep unit at least 15' from exterior doors, overhead HVAC vents, or any air curtain disruption.
- 3) End panels must be tightly joined or kept at least 6" away from any structure to prevent condensation.
- 4) Do not expose unit to direct sunlight or any heat source (ovens, fryers, etc.).
- 5) Keep at least 8" of clearance above unit for air discharge (self-contained only).
- 6) Tile floors, low ceilings, or small rooms will increase noise level. Whisper Cool compressor blanket or remote recommended.