



PRODUCT SPECIFICATIONS

ITEM NO. _____
 PROJECT: _____
 DATE: _____

Refrigerated Self-Service Case - 50 HZ Electrical

CO4748RZ 47 1/4"L x 33 1/4"D x 50 5/8"H

STANDARD FEATURES

- Temp-Integrated average product temperature of 41°F
- Light-T-8 top light(s)
- Evaporator pan-Electric condensate pan (self-contained refig. only)
- Compressor air-Compressor air front intake, rear discharge
- Warranty-One year parts & labor; 1-5 year compressor warranty
- Shelves-Solid shelves, non-lighted
- Shelves-Shelving removable and adjustable on 1" centers
- Deck-Removable deck pans provide complete access to evaporator coil & refrigeration connections
- Upper rear-4"D removable rear wall spacer bracket.



NOTE: SHOWN WITH OPTIONAL CUTAWAY END PANEL

MODEL SHOWN: CO4748RZ

	STANDARD SPECIFICATION	OPTION(S)
ELECTRICAL CONNECT	<input type="checkbox"/> Electrical leads (self-cont.)	<input type="checkbox"/> Electrical leads (remote)
END PANEL COLOR	<input type="checkbox"/> Black exterior	<input type="checkbox"/> Laminated exterior (Wilsonart/Formica premium) <input type="checkbox"/> Laminated exterior (Wilsonart/Formica non-premium) <input type="checkbox"/> Stainless steel exterior
END PANEL EDGE	<input type="checkbox"/> Vinyl end panel edge (matches interior color)	<input type="checkbox"/> Laminated end panel edge (Q4296)
HEADER COLOR	<input type="checkbox"/> Black exterior	<input type="checkbox"/> White exterior <input type="checkbox"/> Painted exterior (specify color) <input type="checkbox"/> Stainless steel exterior
LOWER FRONT PANEL COLOR	<input type="checkbox"/> Black exterior	<input type="checkbox"/> White exterior <input type="checkbox"/> Stainless steel exterior
UPPER FRONT PANEL COLOR	<input type="checkbox"/> Black exterior	<input type="checkbox"/> Painted exterior (specify color) <input type="checkbox"/> Laminated exterior (Wilsonart/Formica premium) <input type="checkbox"/> Laminated exterior (Wilsonart/Formica non-premium) <input type="checkbox"/> Stainless steel exterior
UPPER FRONT PANEL STYLE	<input type="checkbox"/> Flat front panel	<input type="checkbox"/> Formed ABS (painted)
UPPER REAR	<input type="checkbox"/> Solid back panel, galvanized	<input type="checkbox"/> Solid back panel, stainless steel <input type="checkbox"/> Solid back panel, black
INTERIOR COLOR	<input type="checkbox"/> Black interior	<input type="checkbox"/> White interior <input type="checkbox"/> Stainless steel interior
COVER/CURTAIN	<input type="checkbox"/> None	<input type="checkbox"/> Solid security cover, removable, locking <input type="checkbox"/> Roll down security cover, locking (inc. ht. 6") <input type="checkbox"/> Night curtain, retractable, non-locking
REFRIGERATION	<input type="checkbox"/> Breeze™ refrigeration	<input type="checkbox"/> Whisper Cool compressor blanket (Breeze only) <input type="checkbox"/> Note: Remote doesn't incl Conds unit. Floor drain reqd. <input type="checkbox"/> Remote w/thermostat, solenoid & TXV <input type="checkbox"/> Remote w/TXV
BASE SUPPORT	<input type="checkbox"/> Casters	<input type="checkbox"/> Levelers
END PANEL LEFT	<input type="checkbox"/> Full end panel w/mirror interior	<input type="checkbox"/> Cutaway end panel <input type="checkbox"/> Counter cutaway end panel (Q4292) <input type="checkbox"/> No end panel (for same case to case connections)
END PANEL RIGHT	<input type="checkbox"/> Full end panel w/mirror interior	<input type="checkbox"/> Cutaway end panel <input type="checkbox"/> Counter cutaway end panel (Q4292) <input type="checkbox"/> No end panel (for same case to case connections)
PRICE TAG MOULDING	<input type="checkbox"/> None	<input type="checkbox"/> Price tag moulding
BUMPER	<input type="checkbox"/> None	<input type="checkbox"/> 2" bumper on front (specify color)

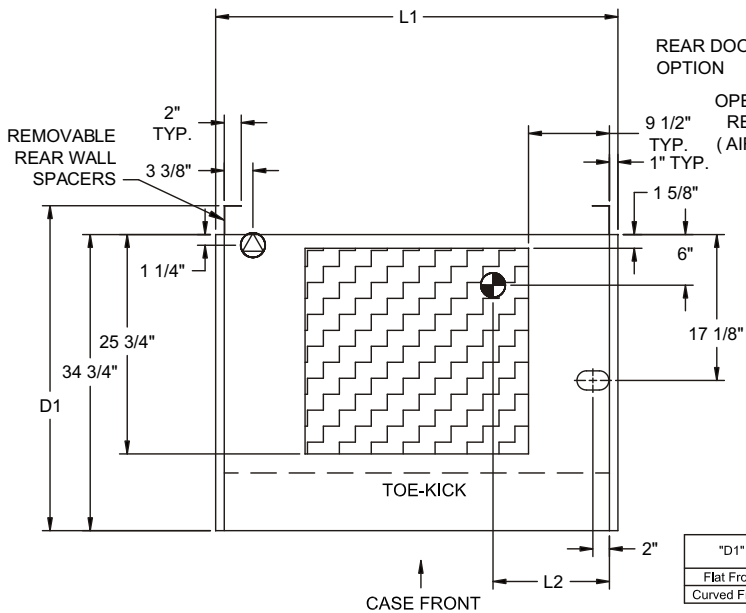


Note: Information is subject to change at any time.

888 E. Porter Rd. Muskegon, MI 49441 Phone: 231.798.8888 Fax: 231.798.4960 www.structuralconcepts.com

Intended Use of Display Area: Packaged refrigerated products
 Integrated Product Temperature (IPT): 41°F
 Intended Environment: Designed to operate in ambient conditions of 75°F / 55% relative humidity.

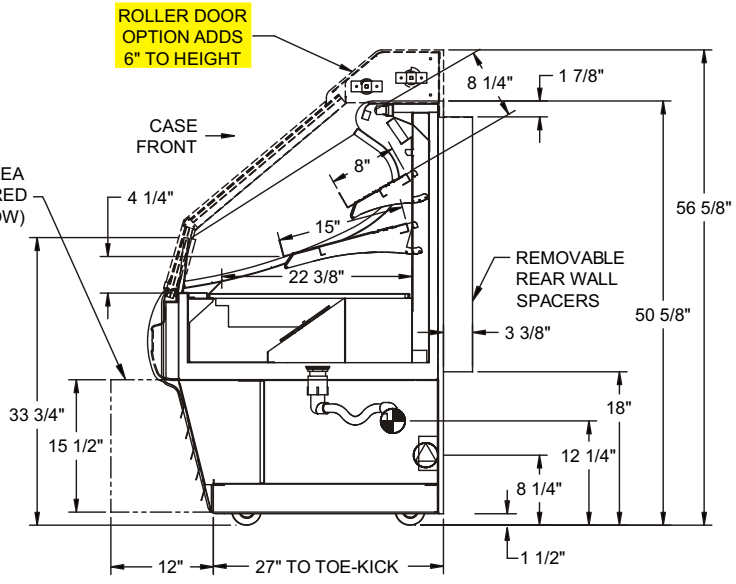
PLAN VIEW



REAR DOOR OPTION
 9 1/2" TYP.
 1" TYP.
 1 5/8"
 6"
 17 1/8"

"D1"	Solid Back	Rear Doors
Flat Front	33 1/4"	35 1/8"
Curved Front	35"	36 7/8"

SIDE VIEW



NOTE: ALL DIMENSIONS APPROXIMATE

- ELECTRICAL JUNCTION BOX (SUPPLIED WITH 6" LEADS OR POWER CORD).
- LOCATION OF CONDENSATE DRAIN TUBE (SUPPLIED WITH 3/4" OR 1 1/2" PVC DRAIN TUBE).
- REFRIGERATION LINE CONNECTION.
- REMOTE CASE SERVICE ACCESS AREA.
- SELF-CONTAINED CASE SERVICE ACCESS AREA.
- DRY CASE SERVICE ACCESS AREA.

Model	Self-Contained Refrigeration/Dry					Remote Refrigeration w/Leads			Ship Wt	Frt Cls
	L1*	L2*	Volts++	Amps	NEMA Plug	Volts++	Amps***	BTUH		
CO4748RZ	47 1/4	13 1/2	220/1/50	8.86	Leads	220/1/50	0.56	3927	740	110

++ Operating range for 120 volt rating is 110-120 volts; operating range for 220 volt rating is 208-230 volts.

** Requires 3 wires + ground

*** Does not include electric defrost on freezer models

REGULATORY APPROVALS

- ETL Listed Certified to CAN/CSA 22.2
- ETL Listed Conforms to UL 471
- ETL Sanitation Conforms to NSF 7

Important Note:

- 1) Performance issues (product temperatures, water on floor, etc.) caused by adverse conditions are not covered by warranty.
- 2) Keep unit at least 15' from exterior doors, overhead HVAC vents, or any air curtain disruption.
- 3) End panels must be tightly joined or kept at least 6" away from any structure to prevent condensation.
- 4) Do not expose unit to direct sunlight or any heat source (ovens, fryers, etc.).
- 5) Keep at least 8" of clearance above unit for air discharge (self-contained only).
- 6) Tile floors, low ceilings, or small rooms will increase noise level. Whisper Cool compressor blanket or remote recommended.