



PRODUCT SPECIFICATIONS

ITEM NO. \_\_\_\_\_  
 PROJECT: \_\_\_\_\_  
 DATE: \_\_\_\_\_

Refrigerated Self-Service Case - 50 HZ Electrical

- CO3678RZ 36 1/4"L x 33 1/4"D x 81"H
- CO4778RZ 47 1/4"L x 33 1/4"D x 81"H
- CO5978RZ 59 1/4"L x 33 1/4"D x 81"H
- CO7178RZ 71 1/4"L x 33 1/4"D x 81"H



MODEL SHOWN: CO4778RZ

NOTE: SHOWN W/OPTIONAL CUTAWAY ENDS & STRAIGHT HEADER

STANDARD FEATURES

- Temp-Integrated average product temperature of 41°F
- Light-T-8 top light(s)
- Evaporator pan-Electric condensate pan (self-contained refig. only)
- Compressor air-Compressor air front intake, rear discharge
- Warranty-One year parts & labor; 1-5 year compressor warranty
- Deck-Removable deck pans provide complete access to evaporator coil & refrigeration connections
- Shelves-Shelving removable and adjustable on 1" centers
- Base-Casters

	STANDARD SPECIFICATION	OPTION(s)
ELECTRICAL CONNECT	<input type="checkbox"/> Electrical leads (self-cont.)	<input type="checkbox"/> Electrical leads (remote)
END PANEL EDGE	<input type="checkbox"/> Vinyl end panel edge (matches interior color)	<input type="checkbox"/> Laminated end panel edge (Q4296)
LWR LOUVERED FRNT PANEL COLOR	<input type="checkbox"/> Black exterior	<input type="checkbox"/> White exterior <input type="checkbox"/> Stainless steel exterior
UPPER FRONT PANEL STYLE	<input type="checkbox"/> Flat front panel	<input type="checkbox"/> Formed ABS (painted)
UPPER REAR	<input type="checkbox"/> Solid back panel, galvanized	<input type="checkbox"/> Solid back panel, stainless steel <input type="checkbox"/> Solid rear swinging door(s) w/lock
INTERIOR COLOR	<input type="checkbox"/> Black interior	<input type="checkbox"/> White interior <input type="checkbox"/> Stainless steel interior
EXTERIOR COLOR	<input type="checkbox"/> Laminated exterior (Wilsonart/Formica non-premium)	<input type="checkbox"/> Laminated exterior (Wilsonart/Formica premium) <input type="checkbox"/> Stainless steel exterior
COVER/CURTAIN	<input type="checkbox"/> None	<input type="checkbox"/> Solid security cover, removable, locking <input type="checkbox"/> Roll down security cover, locking (inc. ht. 7") <input type="checkbox"/> Night curtain, retractable, non-locking
REFRIGERATION	<input type="checkbox"/> Breeze™ refrigeration	<input type="checkbox"/> Whisper Cool compressor blanket (Breeze only) <input type="checkbox"/> Note: Remote doesn't incl Conds unit. Floor drain reqd. <input type="checkbox"/> Remote w/thermostat, solenoid & TXV <input type="checkbox"/> Remote w/TXV
END PANEL LEFT	<input type="checkbox"/> Full end panel w/mirror interior	<input type="checkbox"/> Cutaway end panel <input type="checkbox"/> Counter cutaway end panel (Q4292)
END PANEL RIGHT	<input type="checkbox"/> Full end panel w/mirror interior	<input type="checkbox"/> Cutaway end panel <input type="checkbox"/> Counter cutaway end panel (Q4292)
SHELVING	<input type="checkbox"/> Solid shelves, non-lighted	<input type="checkbox"/> Solid shelves, lighted (T-8) <input type="checkbox"/> Additional solid shelf, lighted (T-8) <input type="checkbox"/> Additional solid shelf, non-lighted
BUMPER	<input type="checkbox"/> None	<input type="checkbox"/> 2" bumper on front (specify color)



Note: Information is subject to change at any time.

888 E. Porter Rd. Muskegon, MI 49441 Phone: 231.798.8888 Fax: 231.798.4960 www.structuralconcepts.com

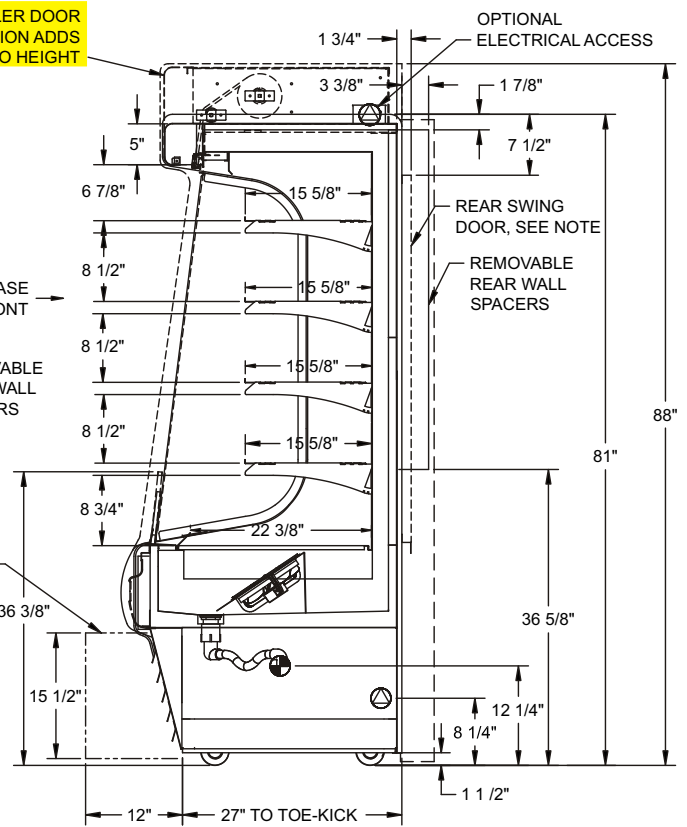
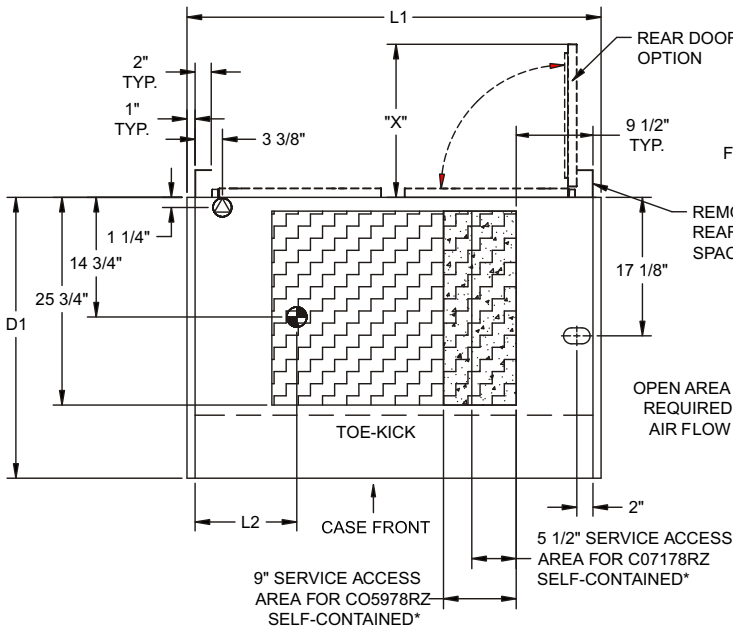
Intended Use of Display Area: Packaged refrigerated products  
 Integrated Product Temperature (IPT): 41°F  
 Intended Environment: Designed to operate in ambient conditions of 75°F / 55% relative humidity.

### PLAN VIEW

### SIDE VIEW

NOTE: CO3678RZ - (X) = 30" - (1) DOOR, SERVICE SIDE LH HINGE STD (RH HINGE OPT)  
 CO4778RZ - (X) = 19" - (2) DOORS RH & LH HINGED  
 CO5978RZ - (X) = 19 5/8" - (2) DOORS RH & LH HINGED  
 CO7178RZ - (X) = 30" - (2) DOORS RH & LH HINGED

ROLLER DOOR  
 OPTION ADDS  
 7" TO HEIGHT



\*SELF-CONTAINED MODELS CO3678RZ & CO4778RZ  
 SERVICE ACCESS AREAS ONLY ACCESSIBLE  
 BY PULLING OUT COMPRESSOR UNIT

"D1"	Solid Back	Rear Doors
Flat Front	33 1/4"	35 1/8"
Curved Front	35"	36 7/8"

NOTE: ALL DIMENSIONS APPROXIMATE

- ELECTRICAL JUNCTION BOX (SUPPLIED WITH 6" LEADS OR POWER CORD).
- REFRIGERATION LINE CONNECTION.
- SELF-CONTAINED CASE SERVICE ACCESS AREA.
- LOCATION OF CONDENSATE DRAIN TUBE (SUPPLIED WITH 3/4" OR 1 1/2" PVC DRAIN TUBE).
- REMOTE CASE SERVICE ACCESS AREA.
- DRY CASE SERVICE ACCESS AREA.

Model	Self-Contained Refrigeration/Dry					Remote Refrigeration w/Leads			Ship Wt	Frt CIs
	L1*	L2*	Volts++	Amps	NEMA Plug	Volts++	Amps***	BTUH		
CO3678RZ	36 1/4	5 1/8	220/1/50	15.39	Leads	220/1/50	0.99	5306	960	110
CO4778RZ	47 1/4	11	220/1/50	14.79	Leads	220/1/50	0.99	7990	1150	110
CO5978RZ	59 1/4	22 1/2	220/1/50	14.33	Leads	220/1/50	1.23	9360	1350	110
CO7178RZ	71 1/4	18 1/2	220/1/50	17.9	Leads	220/1/50	2.25	11042	1550	110

++ Operating range for 120 volt rating is 110-120 volts; operating range for 220 volt rating is 208-230 volts.

\*\* Requires 3 wires + ground

\*\*\* Does not include electric defrost on freezer models

### REGULATORY APPROVALS

- ETL Listed Certified to CAN/CSA 22.2
- ETL Listed Conforms to UL 471
- ETL Sanitation Conforms to NSF 7

### Important Note:

- 1) Performance issues (product temperatures, water on floor, etc.) caused by adverse conditions are not covered by warranty.
- 2) Keep unit at least 15' from exterior doors, overhead HVAC vents, or any air curtain disruption.
- 3) End panels must be tightly joined or kept at least 6" away from any structure to prevent condensation.
- 4) Do not expose unit to direct sunlight or any heat source (ovens, fryers, etc.).
- 5) Keep at least 8" of clearance above unit for air discharge (self-contained only).
- 6) Tile floors, low ceilings, or small rooms will increase noise level. Whisper Cool compressor blanket or remote recommended.