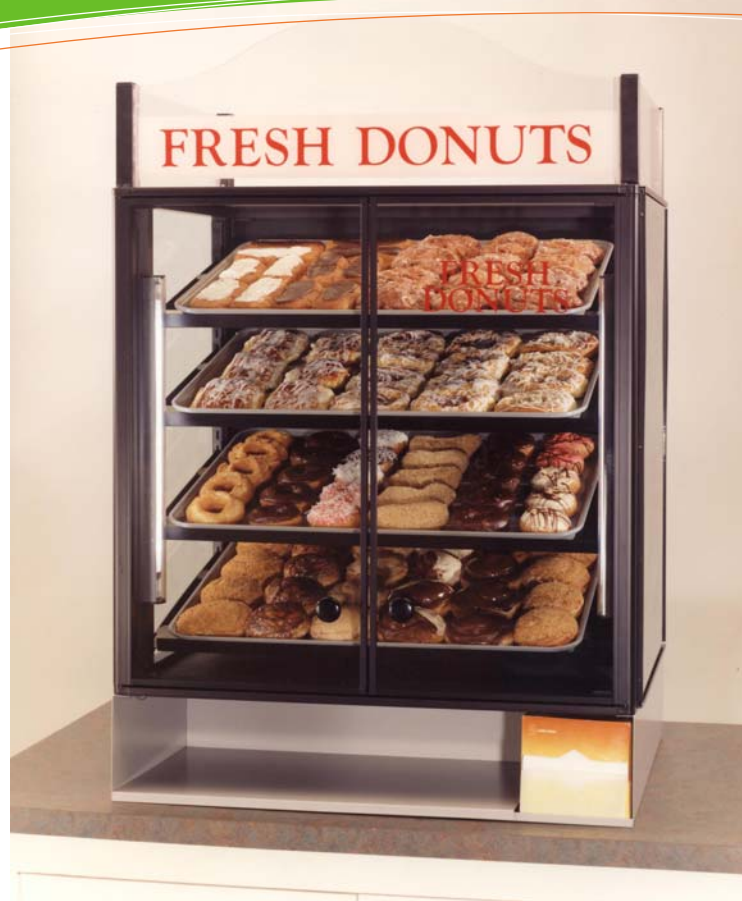


CT Series - CSC Non-Refrigerated Countertop Cases

Models
CSC3223



Non-refrigerated self-service merchandisers for counters

Standard Features

- Black interior
- Gray base exterior
- Black trim
- Glass ends
- Glass swinging front doors
- Solid back panel
- Non-lighted tray support shelves
- T-8 side lights
- Light switch in base
- 12" straight blade power cord
- 6"H base with bag area
- ETL certified to CAN/CSA 22.2, conforms to UL 65 & NSF 2

Options

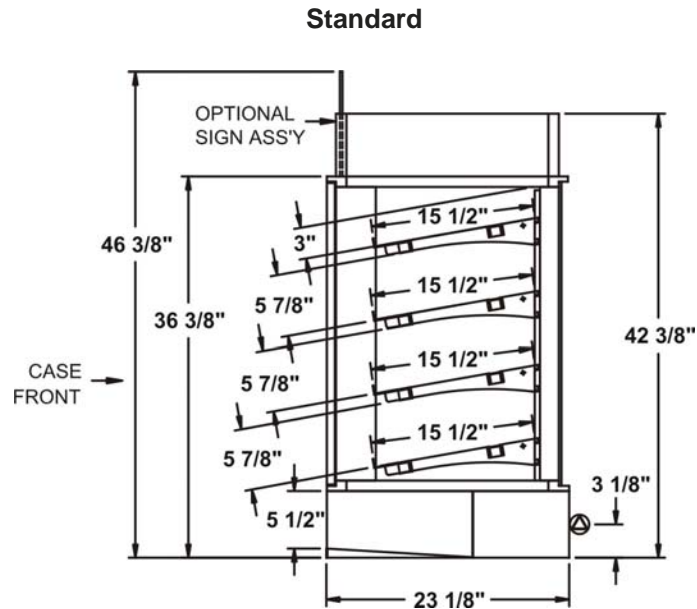
- Black base exterior
- Mirror back panel or clear glass rear swinging doors
- Holds (4) 18x26 trays (not included)
- 2"H solid base
- Front door graphics
- Header sign, plain or with graphics

ONE PART PASSION, TWO PARTS SCIENCE



Specifications - CSC Cases

| Model | LxDxH |
|---------|-------------------------|
| CSC3223 | 31-1/2"x23-1/8"x36-3/8" |



IMPORTANT NOTES

INTENDED ENVIRONMENT

Designed to operate in ambient conditions of 75°F with 55% relative humidity.

Integrated ambient product temperature.

INTENDED USE

Unpackaged non-refrigerated products.

INFORMATION IS SUBJECT TO CHANGE WITHOUT NOTICE.

