

# FS Series - FSISD Single Deck Island Cases



## Models

MI4R  
MI5R  
MI6R

## Applications

- Forced air refrigeration
- Adjustable temperature 38°F to 41°F
- Single deck display
- For refrigerated self-service deli and raw packaged products.

## Refrigerated self-service island merchandisers

### Standard Features

- Black interior
- Painted exterior
- Corrosion resistant stainless steel tub & fan shroud
- Solid sheet metal deck
- Standard evaporator fans
- Removable deck pans provide complete access to evaporator coil and refrigeration connections
- Acrylic sides removable for cleaning
- Temperature adjusts from 41°F to 38°F
- Casters
- Double strip 1" bumper
- Breeze™ self-contained refrigeration with 6' power cord
- ETL certified to CAN/CSA 22.2, conforms to UL 471 & NSF 7

### Options

- White or stainless steel interior
- Stainless steel or laminated exterior
- Coated evaporator coil
- Energy-efficient evaporator fans
- Extended product depth capacity - 12 ½" (CDR4763)

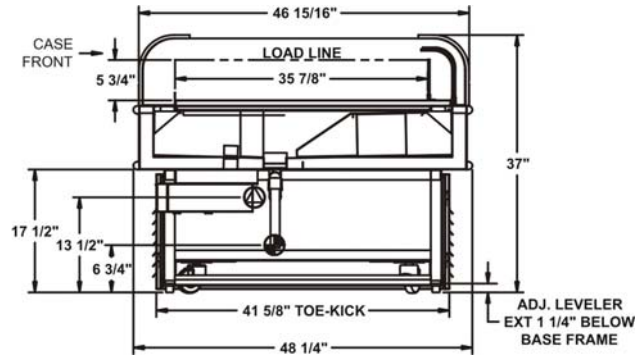
ONE PART PASSION, TWO PARTS SCIENCE



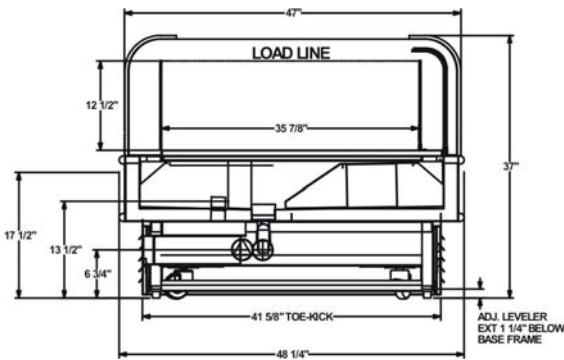
# Specifications - FSISD Cases

Model	LxDxH
MI4R	49-3/4"x48-1/4"x37"
MI5R	61 3/4"Lx48-1/4"x37"
MI6R	74 3/4"Lx48-1/4"x37"

## STANDARD



## Extended Depth Capacity



### IMPORTANT NOTES

Compressor air intake from rear and out front panel at toe kick. Front panel cannot be blocked.

### INTENDED ENVIRONMENT

Designed to operate in ambient conditions of 75°F with 55% relative humidity.

Integrated average product temperature adjustable from 38° to 41°F.

### INTENDED USE

Packaged refrigerated products.

INFORMATION IS SUBJECT TO CHANGE WITHOUT NOTICE.

