

# G Series - GCD Refrigerated Combination Cases



## Models

- GCD4
- GCD6
- GCD8
- GCD12

## Applications

- Forced air refrigeration
- Medium temperature integrated average of 38°F dome & 41°F lower display
- Combination service dome over self-service base
- For refrigerated deli, meat & seafood items
- Corrosion resistant stainless steel tub & fan shroud
- Designed to be used with GP, GHDSS, GHS & GHBSS models

Service/self-service merchandisers for deli, meat & seafood items

## Standard Features

- Black interior
- Painted exterior
- Black trim
- No end panels (specify ends per lineup)
- 16"H refrigerated upper dome
- 35"H refrigerated base
- Curved single pane lift-up front glass
- Angled clear glass upper rear sliding doors
- Open reach-in lower front
- Lighted solid shelf in self-service base
- Non-refrigerated rear storage with doors
- T-8 top light
- Electrical leads
- Rear electrical access
- Energy-efficient evaporator fans
- Remote refrigeration with TXV
- ETL certified to CAN/CSA 22.2, conforms to UL 471 & NSF 7
- Meets DOE 2012 Energy Standards

## Options

- White or stainless steel interior
- Stainless steel or laminate exterior
- Silver trim
- Cutaway or case to case glass ends panels
- Straight single pane lift-up front glass
- Reflective glass rear sliding doors
- Refrigerated rear storage with doors
- Lighted solid shelf or angled display step (upper display)
- LED lights
- Breeze™ self-contained refrigeration\* with 6' power cord - specify levelers, casters or 6"H legs
- Clean Sweep® condenser coil cleaner
- Top mount scale stand with receptacle
- Ice pans for seafood applications
- Rear wrapping board
- Front glass & rear door locks
- Night curtain & wire security cover for self-service base
- 1" bumper on front
- 16"H dome - non-refrigerated or heated
- 20"H Tall dome - refrigerated, non-refrigerated or gravity coil
- 27"H Super dome - refrigerated or gravity coil (includes 29"H base & increases depth of unit)
- 39"H refrigerated base

\* Increases height of case by approximately 4"

ONE PART PASSION, TWO PARTS SCIENCE

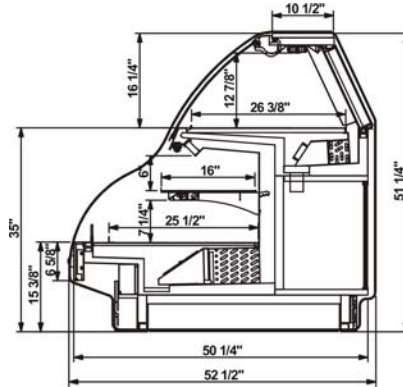


# Specifications - GCD Refrigerated Cases

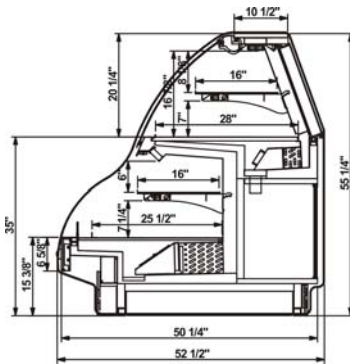
| Model | L*xDxH                   |
|-------|--------------------------|
| GCD4  | 48-3/4"x52-1/2"x51-1/4"  |
| GCD6  | 73-3/4"x52-1/2"x51-1/4"  |
| GCD8  | 97-1/2"x52-1/2"x51-1/4"  |
| GCD12 | 146-1/4"x52-1/2"x51-1/4" |

\*without 1" end panels

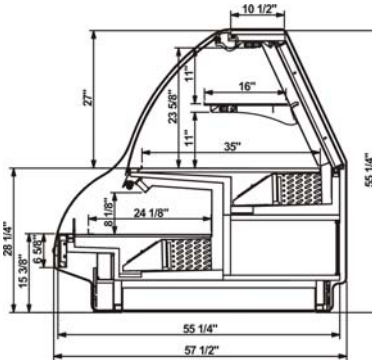
## STANDARD 16"H DOME



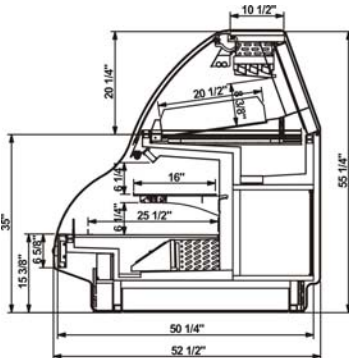
## Tall dome - 20\"/>



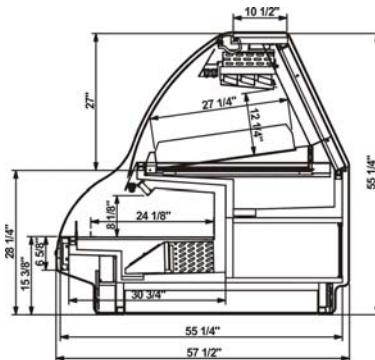
## Super dome - 27\"/>



## Tall dome - 20\"/>



## Super dome - 27\"/>



### IMPORTANT NOTES

Units must be shimmed during installation to ensure the unit is level and plumb.

### INTENDED ENVIRONMENT

Designed to operate in ambient conditions of 75°F with 55% relative humidity.

Integrated average product temperature of 38°F dome & 41°F lower display

### INTENDED USE

Packaged & unpackaged refrigerated products.

For more information on any of our products or services please visit us on the web at:

[www.structuralconcepts.com](http://www.structuralconcepts.com)

INFORMATION IS SUBJECT TO CHANGE WITHOUT NOTICE.

