

G Series - GHBSS Refrigerated Self-Service Cases



Models

GHBSS3
GHBSS4
GHBSS5
GHBSS6
GHBSS8
GHBSS10
GHBSS12

Applications

- Forced air refrigeration
- Medium temperature integrated average of 41°F
- For refrigerated packaged bakery items
- Designed to be used with GHS, GHDSS, GP, GCB & GCD models

Self-service multi-shelf merchandisers for bakery items

Standard Features

- Black interior
- Painted exterior
- Black trim
- No end panels (specify ends per lineup)
- Open reach-in front
- Solid back panel
- T-8 top & shelf lights
- Electrical leads
- Energy-efficient evaporator fans
- Remote refrigeration with TXV
- ETL Certified to CAN/CSA 22.2, Conforms to UL 471 & NSF 7
- Meets DOE 2012 Energy Standards

Options

- White or stainless steel interior
- Stainless steel or laminated exterior
- Silver trim
- Full w/stainless steel mirror, cutaway or case to case glass end panels.
- Clear glass rear sliding doors
- LED lights
- 1" bumper on front
- Price tag molding for deck and shelving
- Breeze™ self-contained refrigeration* with 6' power cord - specify levelers, casters, or 6"H legs
- Clean Sweep® condenser coil cleaner
- Night curtain or wire security cover
- Non-refrigerated for ambient display
- Additional profile heights available - see back page

* Increases height of case by approximately 4"

ONE PART PASSION, TWO PARTS SCIENCE

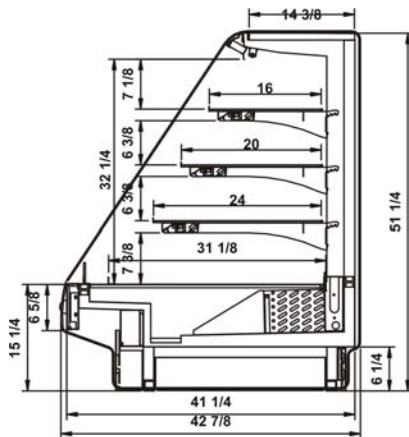


Specifications - GHBSS Refrigerated Cases

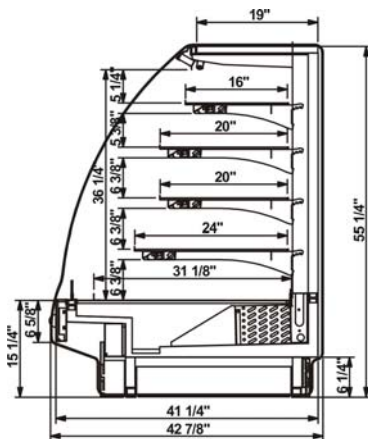
Model	L*xDxH
GHBSS3	36-3/4"x42-5/8"x51-1/4"
GHBSS4	48-3/4"x42-5/8"x51-1/4"
GHBSS5	60-5/16"x42-5/8"x51-1/4"
GHBSS6	73-1/8"x42-5/8"x51-1/4"
GHBSS8	97-1/2"x46-3/4"x51-1/4"
GHBSS10	121-1/8"x42-5/8"x51-1/4"
GHBSS12	146-1/4"x42-5/8"x51-1/4"

*without 1" end panels

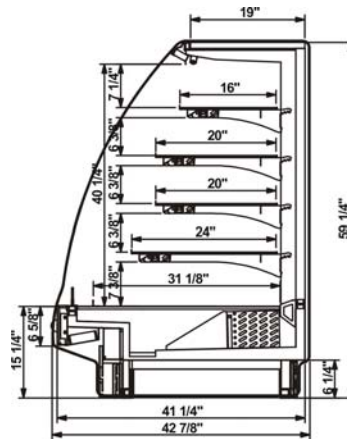
REMOTE W/ STRAIGHT OPTION



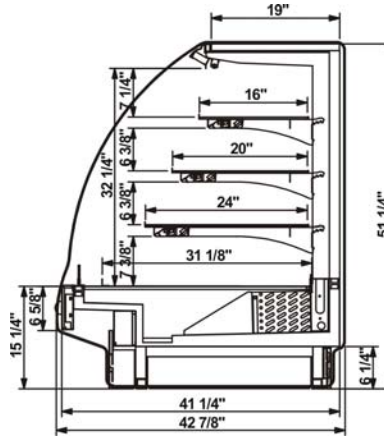
Optional 56"H



Optional 60"H



STANDARD



IMPORTANT NOTES

Units must be shimmed during installation to ensure the unit is level and plumb.

INTENDED ENVIRONMENT

Designed to operate in ambient conditions of 75°F with 55% relative humidity.

Integrated average product temperature of 41°F.

INTENDED USE

Packaged refrigerated products.

For more information on any of our products or services please visit us on the web at: www.structuralconcepts.com

INFORMATION IS SUBJECT TO CHANGE WITHOUT NOTICE.

