

G Series - GHS Refrigerated Service Cases



Models

GHS3
GHS4
GHS5
GHS6
GHS8
GHS10
GHS12

Applications

- Forced air refrigeration
- Medium temperature integrated average of 41°F
- For refrigerated bakery items
- Designed to be used with GHBSS, GHDS, GCD, GCB & GP models

Service high-capacity merchandisers for bakery items

Standard Features

- Black interior
- Painted exterior
- Black trim
- No end panels (specify ends per lineup)
- Curved single pane lift-up front glass
- Straight clear glass rear sliding doors
- T-8 top & shelf lights
- Electrical leads
- Energy-efficient evaporator fans
- Remote refrigeration with TXV
- ETL certified to CAN/CSA 22.2, conforms to UL 471 & NSF 7
- Meets DOE 2012 Energy Standards

Options

- White or stainless steel interior
- Stainless steel or laminated exterior
- Silver trim
- Full w/stainless steel mirror, cutaway or case to case glass end panels.
- Straight single pane lift-up front glass
- Reflective glass rear sliding doors
- LED lights
- Breeze™ self-contained refrigeration* with 6' power cord - specify levelers, casters or 6"H legs
- Clean Sweep® condenser coil cleaner
- Front glass & rear door locks
- 1" bumper on front
- Price tag molding for deck and shelving
- Non-refrigerated for ambient display

* Increases height of case by approximately 4"

ONE PART PASSION, TWO PARTS SCIENCE

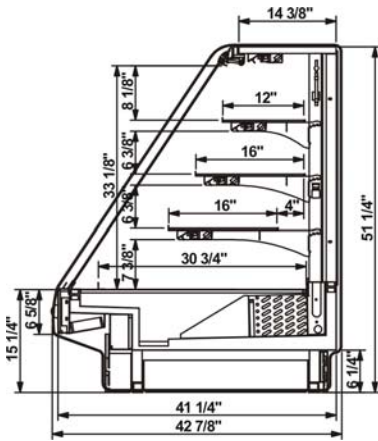


Specifications - GHS Refrigerated Cases

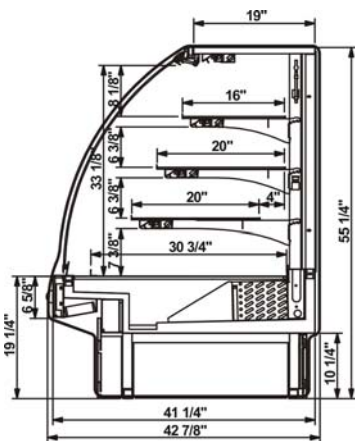
Model	L*xDxH
GHS3	36-3/4"x42-5/8"x51-1/4"
GHS4	48-3/4"x42-5/8"x51-1/4"
GHS5	60-9/16"x42-5/8"x51-1/4"
GHS6	73-1/8"x42-5/8"x51-1/4"
GHS8	97-1/2"x42-5/8"x51-1/4"
GHS10	121-1/8"x42-5/8"x51-1/4"
GHS12	146-1/4"x42-5/8"x51-1/4"

*without 1" end panels

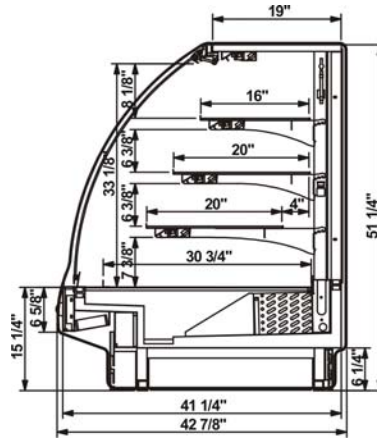
REMOTE W/ STRAIGHT OPTION



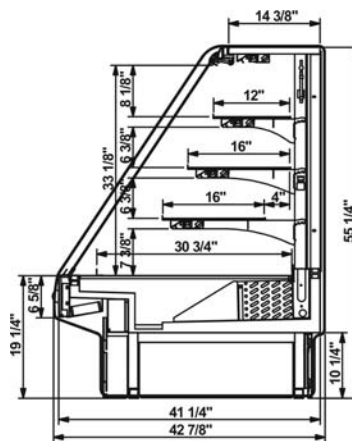
SELF-CONTAINED W/ CURVED OPTION



STANDARD REMOTE W/ CURVED



SELF-CONTAINED W/ STRAIGHT OPTION



IMPORTANT NOTES

Units must be shimmed during installation to ensure the unit is level and plumb.

INTENDED ENVIRONMENT

Designed to operate in ambient conditions of 75°F with 55% relative humidity.

Integrated average product temperature of 41°F.

INTENDED USE

Unpackaged refrigerated products.

For more information on any of our products or services please visit us on the web at: www.structuralconcepts.com

INFORMATION IS SUBJECT TO CHANGE WITHOUT NOTICE.

