

G Series - GLBSS Refrigerated Self-Service Cases



Models

GLBSS3
GLBSS4
GLBSS6
GLBSS8
GLBSS12
GLBSSX2
GLBSSX4
GLBSSX9
GLBSSN2
GLBSSN4
GLBSSN9

Applications

- Forced air refrigeration
- Medium temperature integrated average of 41°F
- Single deck display area with work ledge
- For refrigerated bakery items
- Corrosion resistant stainless steel tub & fan shroud
- Designed to be used with GLBS, GLDS & GLDSS models

Self-service low capacity merchandisers for bakery items.

Standard Features

- Black interior
- Painted exterior
- No end panels (specify ends per lineup)
- Black Sanalite® rear work ledge
- Electrical leads
- Energy-efficient evaporator fans
- Remote refrigeration with TXV
- ETL certified to CAN/CSA 22.2, conforms to UL 471 & NSF 7
- Meets DOE 2012 Energy Standards

Options

- White or stainless steel interior
- Stainless steel or laminated exterior
- Full w/mirror, cutaway or case to case glass end panels
- White Sanalite®, stainless steel, quartz or Corian rear work ledge
- 2"H full depth display risers
- Coated evaporator coil
- Clean Sweep® condenser coil cleaner
- Breeze™ self-contained refrigeration with 6' power cord - specify levelers, casters or 6"H legs.
- Price tag molding on deck
- 1" bumper on front
- Refrigerated rear storage & sneeze guard
- Non-refrigerated for ambient display

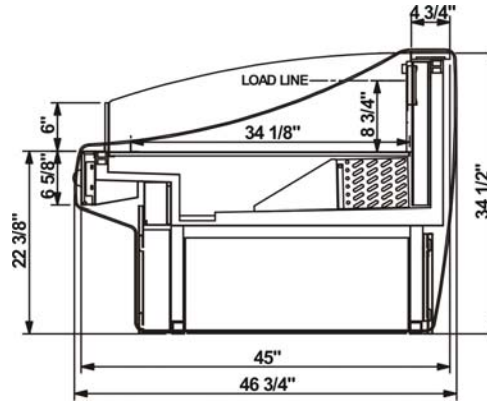
ONE PART PASSION, TWO PARTS SCIENCE



Specifications - GLBSS Cases

Model	L*xDxH
GLBSS3	36-3/4"x46-3/4"x34-1/2"
GLBSS4	48-3/4"x46-3/4"x34-1/2"
GLBSS6	73-1/8"x46-3/4"x34-1/2"
GLBSS8	97-1/2"x46-3/4"x34-1/2"
GLBSS12	146-1/4"x46-3/4"x34-1/2"
GLBSSX2	47-1/4"x46-3/4"x34-1/2"
GLBSSX4	39-1/8"x46-3/4"x34-1/2"
GLBSSX9	72-1/4"x46-3/4"x34-1/2"
GLBSSN2	39-3/4"x46-3/4"x34-1/2"
GLBSSN4	55-1/2"x46-3/4"x34-1/2"
GLBSSN9	102-1/2"x46-3/4"x34-1/2"

STANDARD



IMPORTANT NOTES

Units shimmed during installation to ensure the unit is level and plumb.

INTENDED ENVIRONMENT

Designed to operate in ambient conditions of 75°F with 55% relative humidity.

Integrated average product temperature of 41°F.

INTENDED USE

Packaged refrigerated products.

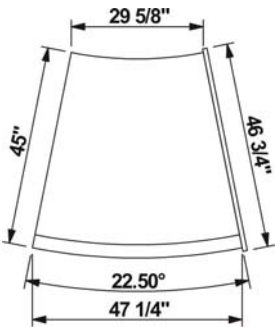
For more information on any of our products or services please visit us on the web at:

www.structuralconcepts.com

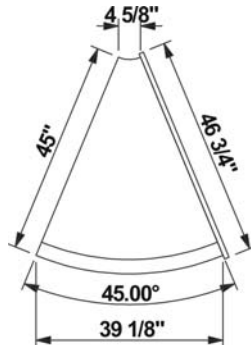
*without 1" end panels

GLBSSX models = convex/outside curve
GLBSSN models = concave/inside curve

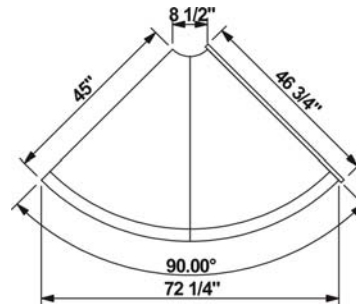
GLBSSX2 PLAN VIEW



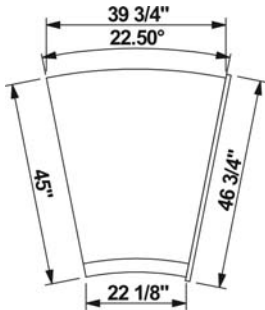
GLBSSX4 PLAN VIEW



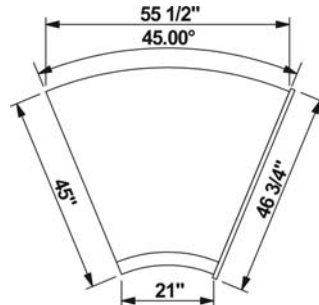
GLBSSX9 PLAN VIEW



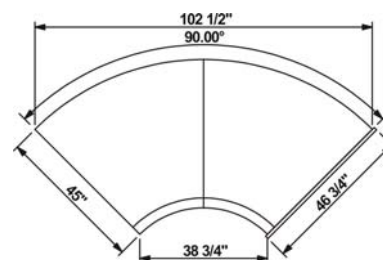
GLBSSN2 PLAN VIEW



GLBSSN4 PLAN VIEW



GLBSSN9 PLAN VIEW



INFORMATION IS SUBJECT TO CHANGE WITHOUT NOTICE.

