

# G Series - GLDS Refrigerated Service Cases

## Models

GLDS3  
GLDS4  
GLDS6  
GLDS8  
GLDS12  
GLDSX2  
GLDSX4  
GLDSX9  
GLDSN2  
GLDSN4  
GLDSN9



Service low capacity merchandisers for deli items

## Applications

- Forced air refrigeration
- Medium temperature integrated average of 41°F
- Single deck display area with work ledge
- For refrigerated deli items
- Corrosion resistant stainless steel tub & fan shroud
- Designed to be used with GLDSS, GLBS & GLBSS models

## Standard Features

- Black interior
- Painted exterior
- Black trim
- No end panels (specify ends per lineup)
- Curved single pane lift-up front glass
- Black Sanalite® rear work ledge
- Removable acrylic rear sliding doors
- Double row of T-8 top lights
- Electrical leads
- Energy-efficient evaporator fans
- Remote refrigeration with TXV
- ETL certified to CAN/CSA 22.2, conforms to UL 471 & NSF 7
- Meets DOE 2012 Energy Standards

## Options

- White or stainless steel interior
- Stainless steel or laminated exterior
- Silver trim
- Full w/mirror, cutaway or case to case glass end panels.
- Straight single pane lift-up front glass
- White Sanalite®, stainless steel, quartz or Corian rear work ledge
- Open upper rear
- 2"H full depth display risers
- Coated evaporator coil
- LED lights
- 1" bumper on front
- Stainless steel condiment rail system
- Breeze self-contained refrigeration with 6' power cord - specify levelers, casters or 6"H legs
- Clean Sweep® condenser coil cleaner
- Scale stand with receptacle
- Front glass & rear door locks

ONE PART PASSION, TWO PARTS SCIENCE



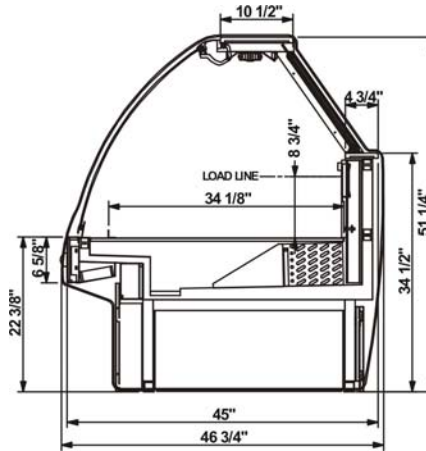
# Specifications - GLDS Cases

| Model  | L*xDxH                     |
|--------|----------------------------|
| GLDS3  | 36-3/4"x 46-3/4"x 51-1/4"  |
| GLDS4  | 48-3/4"x 46-3/4"x 51-1/4"  |
| GLDS6  | 73-1/8"x 46-3/4"x 51-1/4"  |
| GLDS8  | 97-1/2"x 46-3/4"x 51-1/4"  |
| GLDS12 | 146-1/4"x 46-3/4"x 51-1/4" |
| GLDSX2 | 47-1/4"x 46-3/4"x 51-1/4"  |
| GLDSX4 | 39-1/8"x 46-3/4"x 51-1/4"  |
| GLDSX9 | 72-1/4"x 46-3/4"x 51-1/4"  |
| GLDSN2 | 39-3/4"x 46-3/4"x 51-1/4"  |
| GLDSN4 | 55-1/2"x 46-3/4"x 51-1/4"  |
| GLDSN9 | 102-1/2"x 46-3/4"x 51-1/4" |

\*without 1" end panels

GLDSX models = convex/outside curve  
GLDSN models = concave/inside curve

## STANDARD



## IMPORTANT NOTES

Units must be shimmed during installation to ensure the unit is level and plumb.

## INTENDED ENVIRONMENT

Designed to operate in ambient conditions of 75°F with 55% relative humidity.

Integrated average product temperature of 41°F.

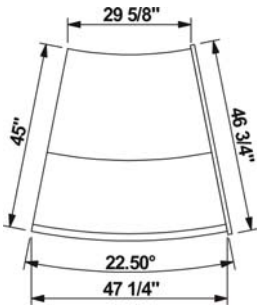
## INTENDED USE

Unpackaged refrigerated products.

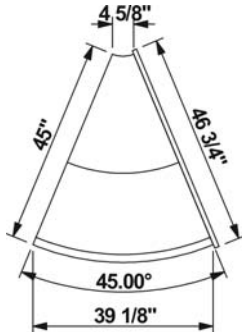
For more information on any of our products or services please visit us on the web at:

[www.structuralconcepts.com](http://www.structuralconcepts.com)

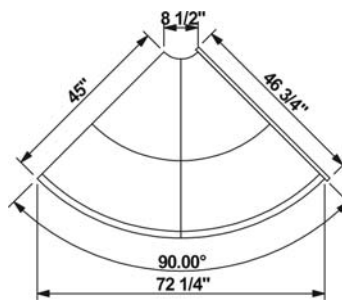
GLDSX2 PLAN VIEW



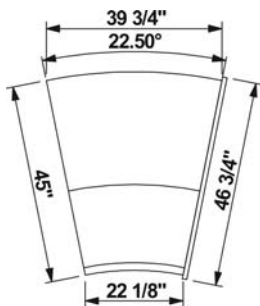
GLDSX4 PLAN VIEW



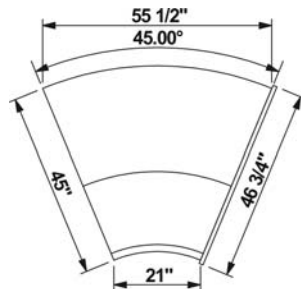
GLDSX9 PLAN VIEW



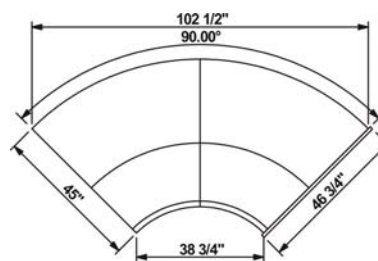
GLDSN2 PLAN VIEW



GLDSN4 PLAN VIEW



GLDSN9 PLAN VIEW



INFORMATION IS SUBJECT TO CHANGE WITHOUT NOTICE.