

G Series - GLDSS Refrigerated Self-Service Cases



Models

GLDSS3
GLDSS4
GLDSS6
GLDSS8
GLDSS12
GLDSSX2
GLDSSX4
GLDSSX9
GLDSSN2
GLDSSN4
GLDSSN9

Applications

- Forced air refrigeration
- Medium temperature integrated average of 41°F
- Single deck display area with work ledge
- For refrigerated deli items
- Corrosion resistant stainless steel tub & fan shroud
- Designed to be used with GLDS, GLBS & GLBSS models

Self-service low capacity merchandisers for deli items.

Standard Features

- Black interior
- Painted exterior
- No end panels (specify ends per lineup)
- Black Sanalite® rear work ledge
- Electrical leads
- Energy-efficient evaporator fans
- Remote refrigeration with TXV
- ETL certified to CAN/CSA 22.2, conforms to UL 471 & NSF 7
- Meets DOE 2012 Energy Standards

Options

- White or stainless steel interior
- Stainless steel or laminated exterior
- Full w/mirror, cutaway or case to case glass end panels
- White Sanalite®, stainless steel, quartz or Corian rear work ledge
- 2"H full depth display risers
- Coated evaporator coil
- Clean Sweep® condenser coil cleaner
- Breeze™ self-contained refrigeration with 6' power cord - specify levelers, casters or 6"H legs.
- Price tag molding on deck
- 1" bumper on front
- Refrigerated rear storage & sneeze guard

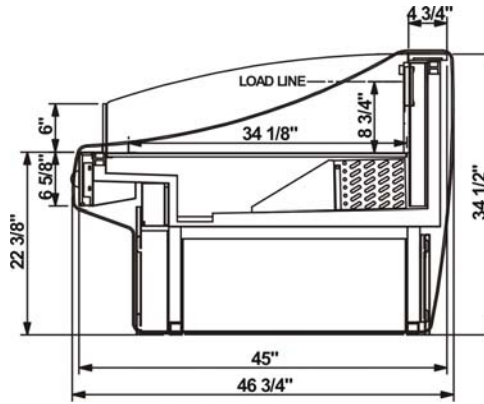
ONE PART PASSION, TWO PARTS SCIENCE



Specifications - GLDSS Cases

Model	L*xDxH
GLDSS3	36-3/4"x 46-3/4"x 34-1/2"
GLDSS4	48-3/4"x 46-3/4"x 34-1/2"
GLDSS6	73-1/8"x 46-3/4"x 34-1/2"
GLDSS8	97-1/2"x 46-3/4"x 34-1/2"
GLDSS12	146-1/4"x 46-3/4"x 34-1/2"
GLDSSX2	47-1/4"x 46-3/4"x 34-1/2"
GLDSSX4	39-1/8"x 46-3/4"x 34-1/2"
GLDSSX9	72-1/4"x 46-3/4"x 34-1/2"
GLDSSN2	39-3/4"x 46-3/4"x 34-1/2"
GLDSSN4	55-1/2"x 46-3/4"x 34-1/2"
GLDSSN9	102-1/2"x 46-3/4"x 34-1/2"

STANDARD



*without 1" end panels

GLDSSX models = convex/outside curve
GLDSSN models = concave/inside curve

IMPORTANT NOTES

Units must be shimmed during installation to ensure the unit is level and plumb.

INTENDED ENVIRONMENT

Designed to operate in ambient conditions of 75°F with 55% relative humidity.

Integrated average product temperature of 41°F.

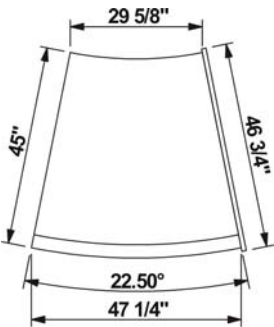
INTENDED USE

Packaged refrigerated products.

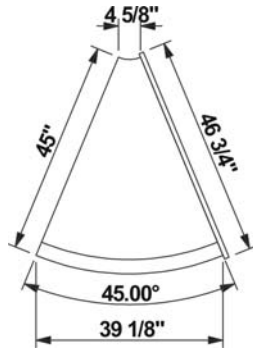
For more information on any of our products or services please visit us on the web at:

www.structuralconcepts.com

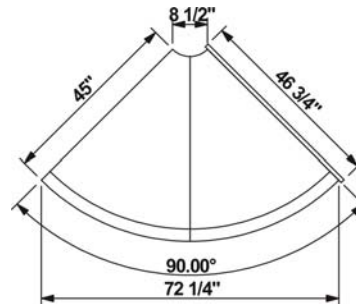
GLDSSX2 PLAN



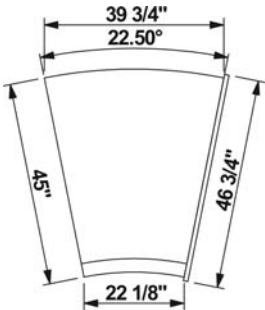
GLDSSX4 PLAN VIEW



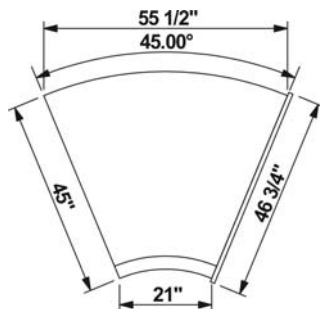
GLDSSX9 PLAN VIEW



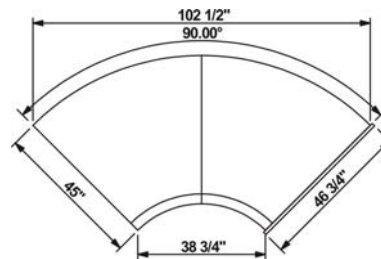
GLDSSN2 PLAN VIEW



GLDSSN4 PLAN VIEW



GLDSSN9 PLAN VIEW



INFORMATION IS SUBJECT TO CHANGE WITHOUT NOTICE.

