

G Series – GMDS Refrigerated Service Cases



Models

GMDS3
GMDS4
GMDS6
GMDS8
GMDS12
GMDSX2
GMDSX4
GMDSX9
GMDSN2
GMDSN4
GMDSN9

Applications

- Forced air refrigeration
- Medium temperature integrated average of 41°F
- Single deck display with shelving and riser options
- For refrigerated deli items
- Corrosion resistant stainless steel tub & fan shroud
- Designed to be used with GMG, GMSH, GMDS, GMBS & GMBSS models

Service mid-capacity merchandisers for deli items

Standard Features

- Black interior
- Painted exterior
- Black trim
- No end panels (specify ends per lineup)
- Curved single pane lift-up front glass
- Angled back with clear glass rear sliding doors
- T-8 top & nose lights
- Electrical leads
- Energy-efficient evaporator fans
- Remote refrigeration with TXV
- ETL certified to CAN/CSA 22.2, conforms to UL 471 & NSF 7
- Meets DOE 2012 Energy Standards

Options

- White or stainless steel interior
- Stainless steel or laminated exterior
- Silver trim
- Full w/mirror, cutaway or case to case glass end panels.
- Straight single pane lift-up front glass
- Angled reflective glass rear sliding doors
- Lighted or non-lighted solid shelf, angled display steps or 3"H full depth display risers
- LED lights
- Breeze™ self-contained refrigeration with 6' power cord - specify levelers, casters or 6"H legs
- Coated evaporator coil
- Clean Sweep® condenser coil cleaner
- Top mount scale stand with receptacle
- Rear wrapping board
- Front glass & rear door locks
- 1" bumper on front

ONE PART PASSION, TWO PARTS SCIENCE



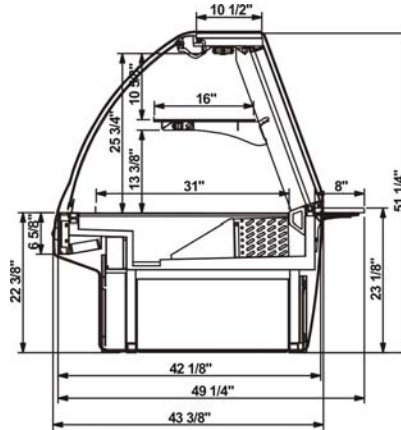
Specifications - GMDS Refrigerated Cases

Model	L*xDxH
GMDS3	36-3/4"x 43-3/8"x 51-1/4"
GMDS4	48-3/4"x 43-3/8"x 51-1/4"
GMDS6	73-1/8"x 43-3/8"x 51-1/4"
GMDS8	97-1/2"x 43-3/8"x 51-1/4"
GMDS12	146-1/4"x 43-3/8"x 51-1/4"
GMDSX2	47-1/4"x 43-3/8"x 51-1/4"
GMDSX4	39-1/8"x 43-3/8"x 51-1/4"
GMDSX9	72-1/4"x 43-3/8"x 51-1/4"
GMDSN2	38-5/8"x 43-3/8"x 51-1/4"
GMDSN4	53-1/4"x 43-3/8"x 51-1/4"
GMDSN9	98-3/8"x 43-3/8"x 51-1/4"

*without 1" end panels

GMDSX models = convex/outside curve
GMDSN models = concave/inside curve

STANDARD



IMPORTANT NOTES

Units must be shimmed during installation to ensure the unit is level and plumb.

INTENDED ENVIRONMENT

Designed to operate in ambient conditions of 75°F with 55% relative humidity.

Integrated average product temperature of 41°F.

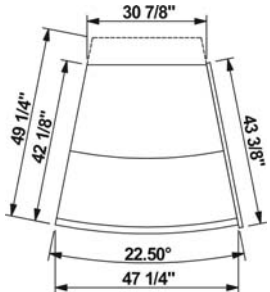
INTENDED USE

Unpackaged refrigerated products.

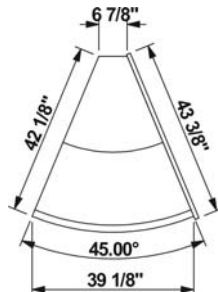
For more information on any of our products or services please visit us on the web at:

www.structuralconcepts.com

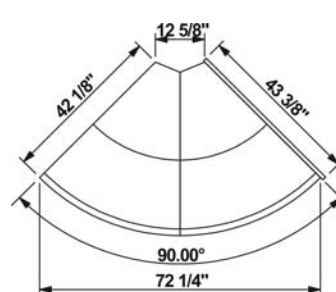
GMDSX2 PLAN VIEW



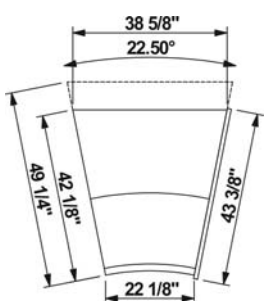
GMDSX4 PLAN VIEW



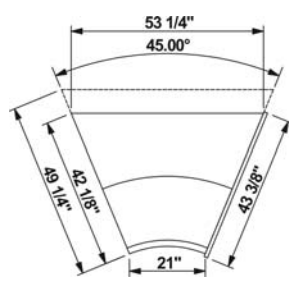
GMDSX9 PLAN VIEW



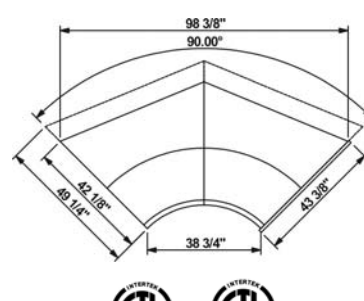
GMDSN2 PLAN VIEW



GMDSN4 PLAN VIEW



GMDSN9 PLAN VIEW



INFORMATION IS SUBJECT TO CHANGE WITHOUT NOTICE.

