

G Series - GMDSS Refrigerated Self-Service Cases



Models

GMDSS3
GMDSS4
GMDSS6
GMDSS8
GMDSS12
GMDSSX2
GMDSSX4
GMDSSX9
GMDSSN2
GMDSSN4
GMDSSN9

Self-service multi-shelf merchandisers for deli items

Applications

- Forced air refrigeration
- Medium temperature integrated average of 41°F
- For refrigerated packaged deli or beverage items
- Designed to be used with GMDS, GMG, GMSH, GMBS & GMBSS models

Standard Features

- Black interior
- Painted exterior
- Black trim
- No end panels (specify ends per lineup)
- Open reach-in front
- Solid back panel
- Non-lighted solid shelves
- T-8 top light
- Electrical leads
- 19"D top header
- Energy-efficient evaporator fans
- Remote refrigeration with TXV
- ETL Certified to CAN/CSA 22.2, Conforms to UL 471 & NSF 7
- Meets DOE 2012 Energy Standards

Options

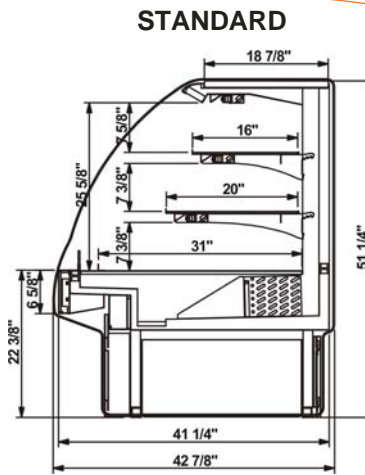
- White or stainless steel interior
- Stainless steel or laminated exterior
- Silver trim
- Full w/mirror, cutaway or case to case glass end panels.
- Clear glass rear sliding doors
- Lighted solid shelves - T-8 or LED
- 1" bumper on front
- Breeze™ self-contained refrigeration with 6' power cord - specify levelers, casters, or 6"H legs
- Clean Sweep® condenser coil cleaner
- Night curtain or wire security cover
- 13"D top header
- Additional profiles available - see back page

Specifications - GMDSS Refrigerated Cases

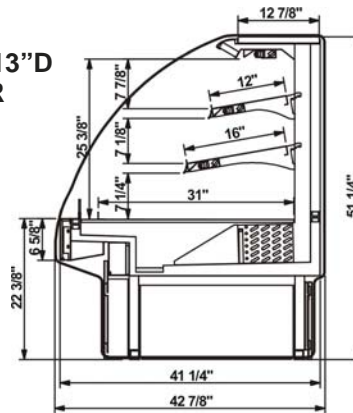
Model	L*xDxDH
GMDSS3	36-3/4"x 42-7/8"x 51-1/4"
GMDSS4	48-3/4"x 42-7/8"x 51-1/4"
GMDSS6	73-1/8"x 42-7/8"x 51-1/4"
GMDSS8	97-1/2"x 42-7/8"x 51-1/4"
GMDSS12	146-1/4"x 42-7/8"x 51-1/4"
GMDSSX2	47-1/4"x 43-3/8"x 51-1/4"
GMDSSX4	39-1/8"x 43-3/8"x 51-1/4"
GMDSSX9	72-1/4"x 43-3/8"x 51-1/4"
GMDSSN2	38-5/8"x 43-3/8"x 51-1/4"
GMDSSN4	53-1/4"x 43-3/8"x 51-1/4"
GMDSSN9	98-3/8"x 43-3/8"x 51-1/4"

*without 1" end panels

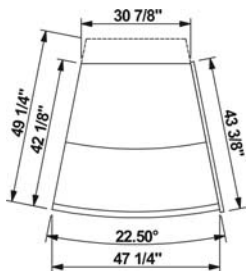
GMDSSX models = convex/outside curve
 GMDSSN models = concave/inside curve



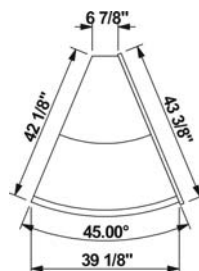
OPTIONAL 13" D HEADER



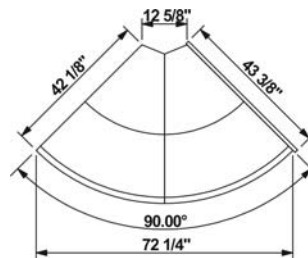
GMDSSX2 PLAN VIEW



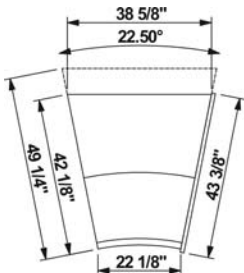
GMDSSX4 PLAN VIEW



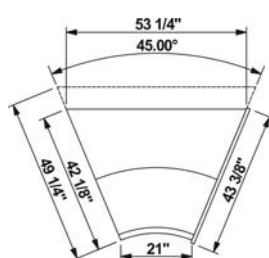
GMDSSX9 PLAN VIEW



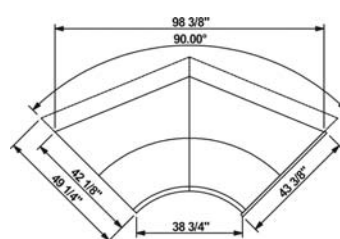
GMDSSN2 PLAN VIEW



GMDSSN4 PLAN VIEW



GMDSSN9 PLAN VIEW



INFORMATION IS SUBJECT TO CHANGE WITHOUT NOTICE.



IMPORTANT NOTES

Units must be shimmed during installation to ensure the unit is level and plumb.

INTENDED ENVIRONMENT

Designed to operate in ambient conditions of 75°F with 55% relative humidity.

Integrated average product temperature of 41°F.

INTENDED USE

Packaged refrigerated products.

For more information on any of our products or services please visit us on the web at:

www.structuralconcepts.com