

# G Series - GMSH Heated Service Cases



## Models

GMS4H  
GMS6H  
GMS8H

## Applications

- Dry heat -160°F
- Accommodates (1) full pan and (1) third pan in each well
- For heated food items
- Designed to be used with GMSD, GMG, GMSSD, GMSB & GMSSB models

## Service deli merchandisers - heated

### Standard Features

- Stainless steel interior
- Painted exterior
- Black trim
- No end panels (specify ends per lineup)
- Curved single pane lift-up front glass
- Angled clear glass rear sliding doors
- Incandescent bulbs & infrared overhead heat
- Electrical leads
- Designed for dry heat
- Independently heated wells controlled by thermostat
- ETL conforms to UL 197 & NSF 4

### Options

- Stainless steel or laminated exterior
- Silver trim
- Cutaway or case to case glass end panels
- Straight single pane lift-up front glass
- Angled reflective glass rear sliding doors
- 1" bumper on front
- Control knob guards
- Top mount scale stand with receptacle
- Rear wrapping board
- Front glass & rear door locks

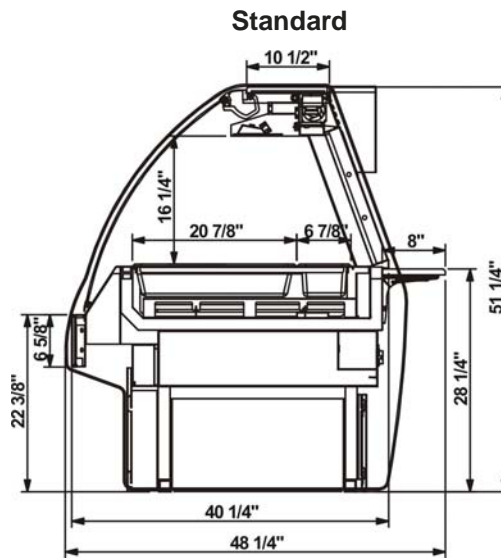
ONE PART PASSION, TWO PARTS SCIENCE



# Specifications - GMSH Heated Cases

Model	L*xDxH	Pan Capacity
GMS4H	48-3/4"x 43-3/8"x 51-1/4"	3
GMS6H	73-1/8"x 43-3/8"x 51-1/4"	5
GMS8H	97-1/2"x 43-3/8"x 51-1/4"	7

\*without 1" end panels  
Pans not provided



## IMPORTANT NOTES

Designed for dry heat.

Each well accommodates up to 4"D pans (not provided).

Units must be shimmed during installation to ensure the unit is level and plumb.

## INTENDED ENVIRONMENT

Designed to operate in ambient conditions of 75°F with 55% relative humidity.

Integrated average product temperature of 160°F.

Designed for dry heat.

## INTENDED USE

Unpackaged heated products.

For more information on any of our products or services please visit us on the web at:

[www.structuralconcepts.com](http://www.structuralconcepts.com)

INFORMATION IS SUBJECT TO CHANGE WITHOUT NOTICE.

