

HV Series - HVB Self-Service Pull-Out Drawer Cases



Self-service non-refrigerated merchandisers with pull-out drawers

Models

HVB38SS

HVB56SS

HVB74SS

Applications

- For non-refrigerated products
- Individual pull-out drawers provide access to each tray

Standard Features

- Black interior
- Painted exterior
- Black trim
- No end panels (specify ends per lineup)
- Stay-open pull-out drawers
- ABS front panel
- Clear glass rear sliding doors
- 4"H chrome wire baskets
- White rear exterior
- T-8 top light
- Electrical leads
- Rear electrical access
- Levelers
- Tissue box holder
- ETL certified to CAN/CSA 22.2, conforms to UL 65 & NSF 2

Options

- White interior
- Laminated exterior
- Black or stainless steel rear exterior
- Silver trim
- Full end panels
- Reflective glass rear sliding doors or solid back panel
- 4"H black wire baskets or 1-1/2"H chrome or black wire baskets
- 12" power cord
- Casters
- 1" bumper on front & ends
- Clear plastic basket liners
- Tongs inside baskets

ONE PART PASSION, TWO PARTS SCIENCE

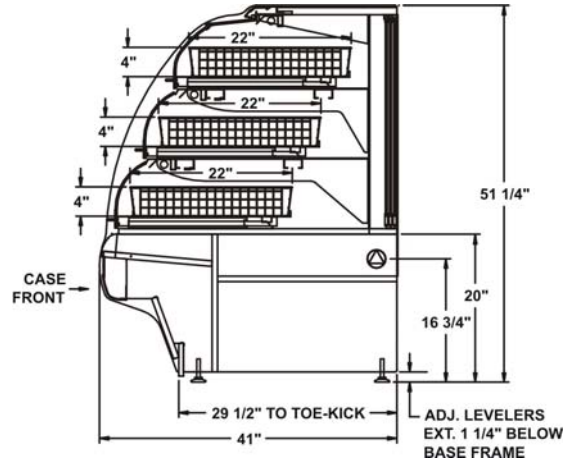


Specifications - HVB Cases

Model	L*xDxH
HVB38SS	38"x41"x51-1/4"
HVB56SS	56"x41"x51-1/4"
HVB74SS	74"x41"x51-1/4"

*without 1" end panels

STANDARD



IMPORTANT NOTES

42" minimum door entry clearance required (without shipping skid).

Units are supplied with levelers which must be adjusted during installation to ensure the unit is level and plumb.

Dimensions reflect levelers extended 1-1/4".

INTENDED ENVIRONMENT

Designed to operate in ambient conditions of 75°F with 55% relative humidity.

Integrated ambient product temperature.

INTENDED USE

Unpackaged non-refrigerated products.

For more information on any of our products or services please visit us on the web at:

www.structuralconcepts.com

INFORMATION IS SUBJECT TO CHANGE WITHOUT NOTICE.

