

# HV Series - HVI Island Bread Display Cases



## Models

HVI11472C

HVI12672C

## Applications

- Self-service non-refrigerated packaged breads

## Non-refrigerated bread island

### Standard Features

- Angled baskets in upper display - 2 to 3 each side depending on model
- Basket wedges in lower display - 2 to 3 each side depending on model
- Round baskets on ends - 5 baskets each end
- Laminated exterior
- Price tag molding around perimeter of display
- Protective bumper around perimeter

### Options

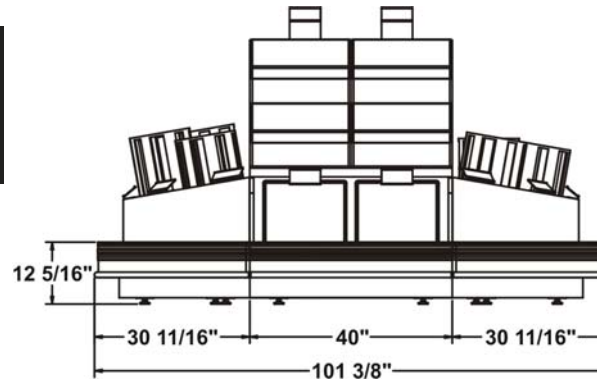
- Choice of laminate colors

# Specifications - HVI Cases

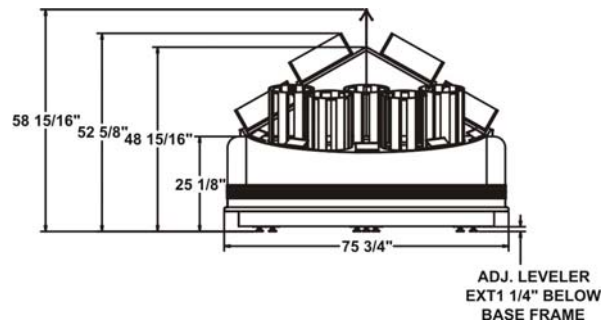
Model	LxDxH
HVI11472C	101-3/8x75-3/4x58-15/16
HVI12672C	130-7/8x75-3/4x58-15/16

## Standard

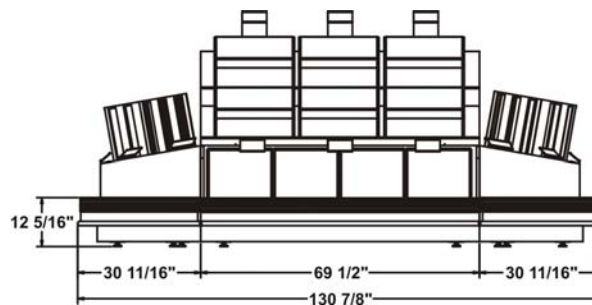
### HVI11472C Front View



### HVI12672C Front View



### HVI11472C & HVI12672C End View



## IMPORTANT NOTES

### INTENDED ENVIRONMENT

Designed to operate in ambient conditions of 75°F with 55% relative humidity.

Integrated average product temperature of 41°F.

### INTENDED USE

Unpackaged refrigerated products.

For more information on any of our products or services please visit us on the web at:  
[www.structuralconcepts.com](http://www.structuralconcepts.com)

INFORMATION IS SUBJECT TO CHANGE WITHOUT NOTICE.

