

HV Series - HVMT Combination Multi-Temp Cases



Models

C3Z3667

C3Z4867

COU2757R

Applications

- Forced air refrigeration
- Medium temperature integrated average 41°F
- Combination refrigerated service and self-service display

Multi-temperature service & self-service combination merchandisers

Standard Features

- Black interior
- Laminated exterior
- Full end panels with mirror interior
- Upper non-refrigerated service display
- Lower refrigerated self-service display
- Clear glass rear sliding doors in upper display
- Lighted solid upper display shelf, non-lighted lower display
- T-8 top & shelf lights
- Levelers
- Breeze™ self-contained refrigerated with 6' power cord
- ETL certified to CAN/CSA 22.2, conforms to UL 471 & NSF 7

Options

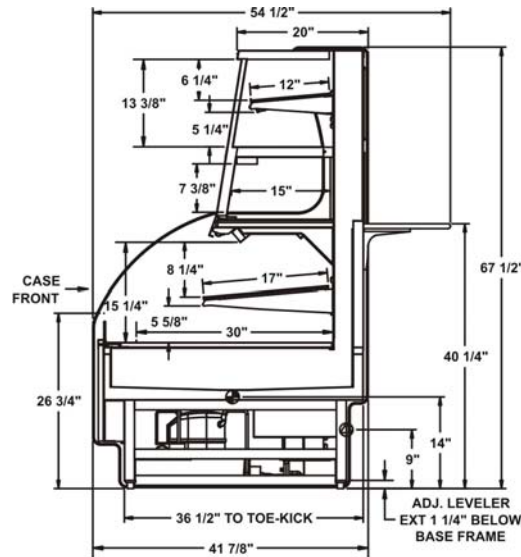
- Stainless steel interior
- Stainless steel exterior
- Middle refrigerated with convertible baffle service display (C3Z models)
- Reflective glass rear sliding doors
- Lighted clear glass shelf upper display
- Casters or 6"H legs
- Night curtain or wire security cover
- Rear door lock
- Angled deck
- Display steps (n/a with shelf)

ONE PART PASSION, TWO PARTS SCIENCE

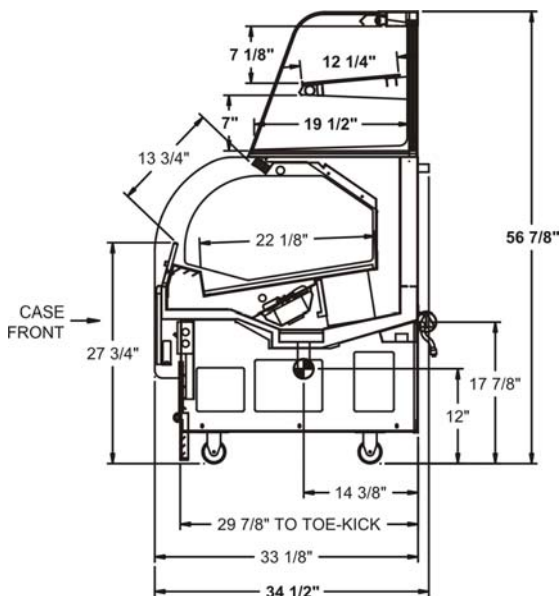
Specifications - HVMT Multi-Temp Cases

Model	LxDxH
C3Z3667	36"x41-7/8"x67-1/2"
C3Z4867	48"x41-7/8"x67-1/2"
COU2757R	28"x34-1/2"x56-7/8"

STANDARD



COU



IMPORTANT NOTES

Compressor air ventilation is out the front panel. Front panel cannot be blocked.

43" minimum door entry clearance required (without shipping skid). (C3Z)

35-1/2" minimum door entry clearance required (without shipping skid). (COU)

Product must be cooled before being displayed within the case. (COU)

INTENDED ENVIRONMENT

Designed to operate in ambient conditions of 75°F with 55% relative humidity.

Integrated average product temperature of 41°F.

INTENDED USE

Packaged/Unpackaged refrigerated products.

For more information on any of our products or services please visit us on the web at:

www.structuralconcepts.com

INFORMATION IS SUBJECT TO CHANGE WITHOUT NOTICE.

