

HV Series - HVO Self-Service Cases



Models

HV3RSS
HV4RSS
HV5RSS
HV6RSS
HV8RSS
HV10RSS

Applications

- Medium temperature integrated average 41°F
- Forced air refrigeration
- Designed to be used with HVG & HVAD models
- For refrigerated or non-refrigerated self-service bakery products

Self-service merchandisers for packaged products.

Standard Features

- Black interior
- Painted exterior
- Black trim
- No end panels (specify ends per lineup)
- Open reach-in front
- Solid back panel
- White rear exterior
- Lighted clear glass shelves
- T-8 top light
- Electrical leads
- Rear electrical access
- Levelers
- Remote refrigeration with TXV
- ABS front panel
- Certified to CAN/CSA 22.2, conforms to UL 471 & NSF 7

Options

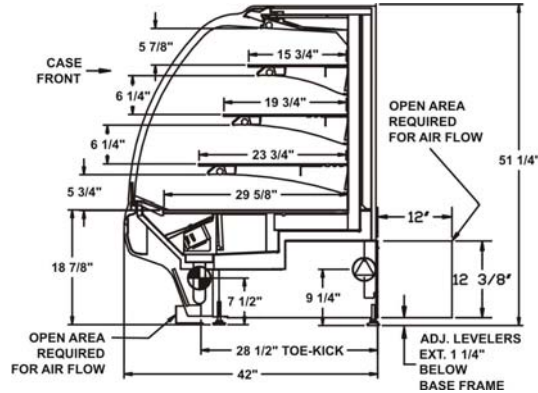
- White or stainless steel interior
- Stainless steel or laminated exterior
- Silver trim
- Full w/mirror, cutaway or case to case glass end panels
- Rear sliding doors (3' to 6' models)
- Black or stainless steel rear exterior
- Smoked glass shelves
- Rear electrical access
- 1" bumper on front and ends
- Breeze™ self-contained refrigeration with 6' power cord - specify levelers, casters or 6"H legs
- Sneeze guard
- Angled deck
- Price tag molding
- Non-refrigerated for ambient display
- Other profile heights available - see back page

Specifications - HVO Cases

Model	L*xDxH
HV3RSS	38"x42"x51-1/4"
HV4RSS	48"x42"x51-1/4"
HV5RSS	56"x42"x51-1/4"
HV6RSS	74"x42"x51-1/4"
HV8RSS	96"x42"x51-1/4"
HV10RSS	112"x42"x51-1/4"

*without 1" end panels

STANDARD

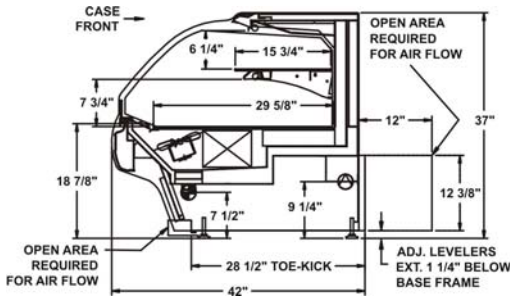


IMPORTANT NOTES

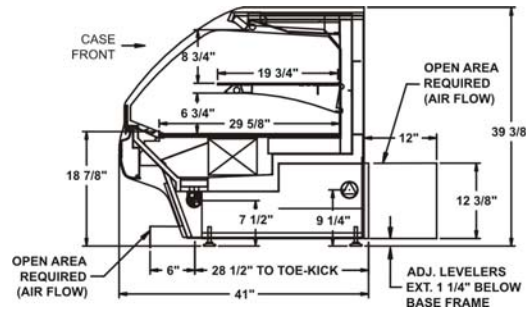
43" Minimum door entry clearance required (without shipping skid)

Units are supplied with levelers which must be adjusted during installation to ensure the unit is level and plumb. Dimensions reflect levelers extended 1-1/4".

Optional 36"H



Optional 39"H

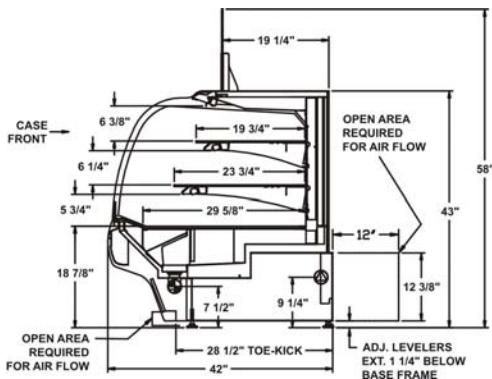


INTENDED ENVIRONMENT

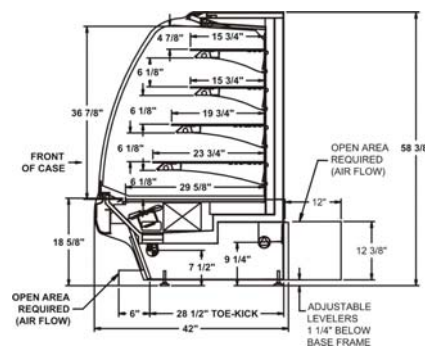
Designed to operate in ambient conditions of 75°F with 55% relative humidity.

Integrated average product temperature of 41°F.

Optional 42"H



Optional 56"H



INTENDED USE

Packaged refrigerated products.

For more information on any of our products or services please visit us on the web at: www.structuralconcepts.com

INFORMATION IS SUBJECT TO CHANGE WITHOUT NOTICE.

