

WAVE Series - WCXL Convex Open Low Profile Cases



Models

FLPCX45
FLPCX67
FLPCX90

Applications

- Forced air refrigeration
- Medium temperature integrated average 41°F
- For fresh cut flowers
- Designed to be used with straight and curved merchandisers to create WAVE lineups

Convex curved open low profile merchandisers for floral products

Standard Features

- Black interior
- Black exterior
- No end panels (specify ends per lineup)
- Open reach-in front
- Galvanized exterior back panel
- 13" bucket support shelves (3 levels)
- T-8 top light
- Glass upper & lower front panels
- Electrical leads
- Top electrical access
- Base rail system for shims
- Remote refrigeration with TXV piped at base
- ETL conforms to UL 471

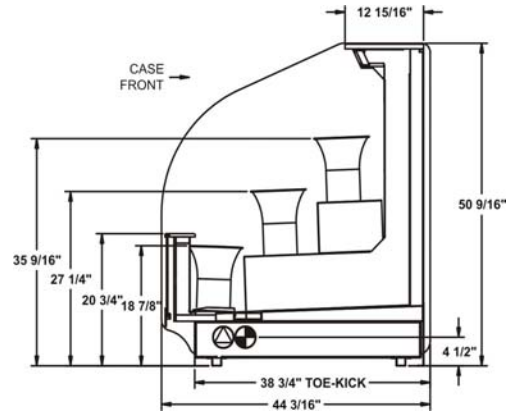
Options

- Laminate exterior
- Full or cutaway end panels
- Black exterior back panel
- 10" bucket support shelves (3 levels)
- Front electrical access
- 2" bumper on ends
- Fresh Flow® automatic watering system

Specifications - WCXL Convex Open Low Profile

STANDARD

Model	LxDxH
FLPCX45	64 7/8"x44 3/16"x50 9/16"
FLPCX67	90 3/4"x44 3/16"x50 9/16"
FLPCX90	114-1/4"x44-3/16"x50-9/16"



IMPORTANT NOTES

INTENDED ENVIRONMENT

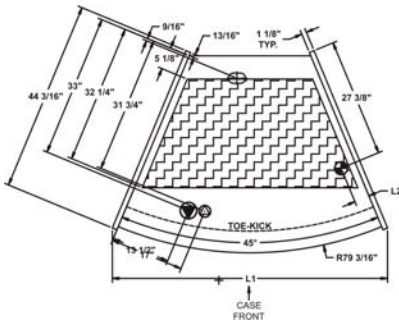
Designed to operate in ambient conditions of 75°F with 55% relative humidity.

INTENDED USE

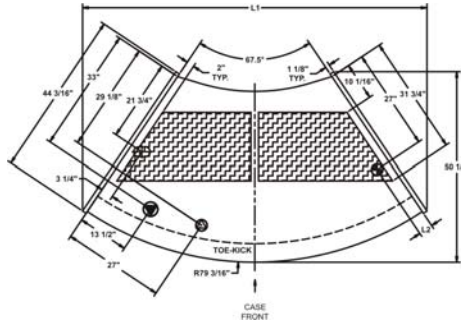
Refrigerated floral products

Bucket Capacities		
Model	Standard Configuration	W/ Optional Fresh Flow System
FLPCX45	(16) 9"D x 10"T	(15) 8"D x 13"T
FLPCX67	(23) 9"D x 10"T	(25) 8"D x 13"T
FLPCX90	(32) 9"D x 10"T	(30) 8"D x 13"T

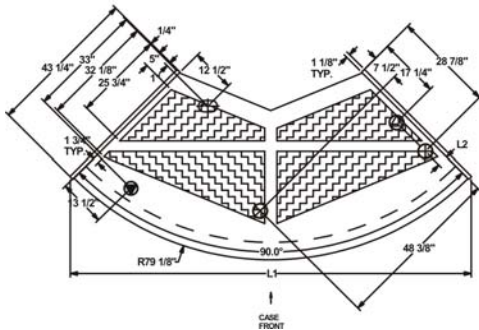
Plan View - FLPCX45



Plan View - FLPCX67



Plan View - FLPCX90



INFORMATION IS SUBJECT TO CHANGE WITHOUT NOTICE.



For more information on any of our products or services please visit us on the web at:
www.structuralconcepts.com