

# WAVE Series - WOL Straight Open Low Profile Cases



## Models

FLP3  
FLP4  
FLP5  
FLP6  
FLP8  
FLP10

## Applications

- Forced air refrigeration
- Medium temperature integrated average 41°F
- For fresh cut flowers
- Designed to be used with straight and curved merchandisers to create WAVE lineups

## Straight open low profile merchandisers for floral products

### Standard Features

- Black interior
- Black exterior
- No end panels (specify ends per lineup)
- Open reach-in front
- Galvanized exterior back panel
- 13" bucket support shelves (3 levels)
- T-8 top light
- Glass upper & lower front panels
- Electrical leads
- Top electrical access
- Base rail system for shims
- Remote refrigeration with TXV piped at base
- ETL conforms to UL 471

### Options

- Laminate exterior
- Full or cutaway end panels
- Black exterior back panel
- 10" bucket support shelves (3 levels)
- Front electrical access
- 2" bumper on ends
- Fresh Flow® automatic watering system

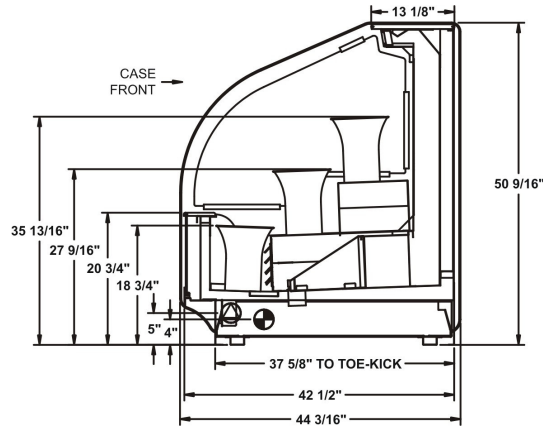
ONE PART PASSION, TWO PARTS SCIENCE



# Specifications - WOL Straight Open Low Profile

Model	LxDxH
FLP3	32-1/2"x44-3/16"x50-9/16"
FLP4	50-1/4"x44-3/16"x50-9/16"
FLP5	62-7/8"x44-3/16"x50-9/16"
FLP6	74-1/4"x44-3/16"x50-9/16"
FLP8	93-1/8"x44-3/16"x50-9/16"
FLP10	123-3/8"x44-3/16"x50-9/16"

## STANDARD



Bucket Capacities		
Model	Standard Configuration	W/ Optional Fresh Flow System
FLP3	(9) 9"D x 10"T	(9) 8"D x 13"T
FLP4	(15) 9"D x 10"T	(18) 8"D x 13"T
FLP5	(18) 9"D x 10"T	(21) 8"D x 13"T
FLP6	(24) 9"D x 10"T	(24) 8"D x 13"T
FLP8	(30) 9"D x 10"T	(33) 8"D x 13"T
FLP10	(39) 9"D x 10"T	(45) 8"D x 13"T

## IMPORTANT NOTES

### INTENDED ENVIRONMENT

Designed to operate in ambient conditions of 75°F with 55% relative humidity.

### INTENDED USE

Refrigerated floral products

INFORMATION IS SUBJECT TO CHANGE WITHOUT NOTICE.



888 E. Porter Rd. Muskegon, MI 49441 231-798-8888

6/18/2010 REV: A

For more information on any of our products or services please visit us on the web at: [www.structuralconcepts.com](http://www.structuralconcepts.com)