

Combination Cold Service Above Cold Self-Service Case - 13" Dome - "G-Series"

- GCD456R 51"L x 51 7/8"D x 55 3/8"H
- GCD656R 75 3/8"L x 51 7/8"D x 55 3/8"H
- GCD856R 99 3/4"L x 51 7/8"D x 55 3/8"H



MODEL SHOWN: GCD656R

STANDARD FEATURES

- Exterior-Stainless steel rear exterior
- Light-T-8 top light(s)
- Warranty-One year parts & labor; 1-5 year compressor warranty
- Temp-Integrated average product temperature of 41°F or less
- Compressor air-Compressor air intake from rear and out front panel at toe kick. Front panel cannot be blocked.
- Shelves-Shelving removable and adjustable on 1" centers

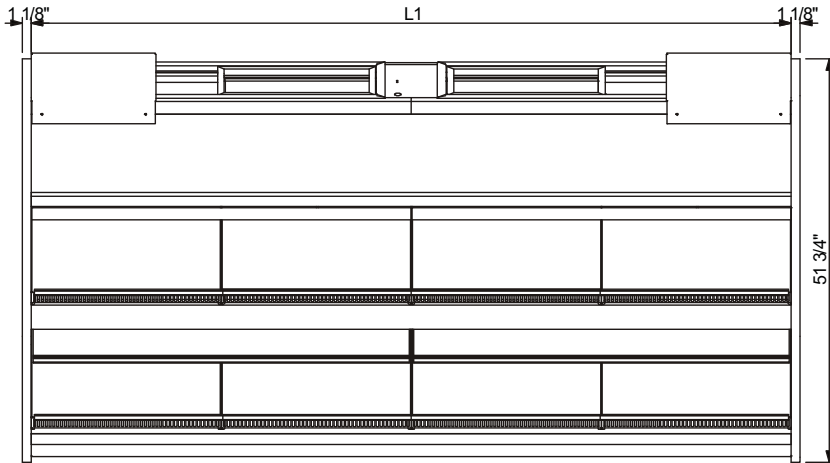
	STANDARD SPECIFICATION	OPTION(s)
ELECTRICAL CONNECT	<input type="checkbox"/> 6 ft straight blade power cord (self cont.)	<input type="checkbox"/> 6 ft locking power cord (self cont.) <input type="checkbox"/> Electrical leads (remote)
LOWER FRONT PANEL COLOR	<input type="checkbox"/> Black painted exterior	<input type="checkbox"/> Stainless steel exterior
LOWER REAR	<input type="checkbox"/> Non refrigerated rear storage (w/doors)	<input type="checkbox"/> Refrigerated rear storage (w/doors)
MISCELLANEOUS	<input type="checkbox"/> None	<input type="checkbox"/> Clean Sweep® coil cleaner (n/a w/remote)
SCALE STAND	<input type="checkbox"/> None	<input type="checkbox"/> Top mount scale stand w/receptacle (requires separate circuit) (specify side)
INTERIOR COLOR	<input type="checkbox"/> Black interior	<input type="checkbox"/> White interior <input type="checkbox"/> Stainless Steel interior
TRIM COLOR	<input type="checkbox"/> Black trim	<input type="checkbox"/> Silver trim
EXTERIOR COLOR	<input type="checkbox"/> Laminated exterior (Wilsonart/Formica non-premium)	<input type="checkbox"/> Stainless steel exterior <input type="checkbox"/> Laminated exterior (Wilsonart/Formica premium)
COVER/CURTAIN	<input type="checkbox"/> None	<input type="checkbox"/> Night curtain, retractable, non-locking <input type="checkbox"/> Wire security cover, removable, locking
REFRIGERATION	<input type="checkbox"/> Breeze™ w/ EnergyWise refrigeration system	<input type="checkbox"/> Note: Remote doesn't incl Conds unit. Floor drain reqd. <input type="checkbox"/> Remote w/TXV <input type="checkbox"/> Remote w/thermostat, solenoid & TXV
BASE SUPPORT	<input type="checkbox"/> Levelers	<input type="checkbox"/> 6"H legs <input type="checkbox"/> Casters
END PANEL LEFT	<input type="checkbox"/> Cutaway w/glass end panel	<input type="checkbox"/> No end panel (for same case to case connections) <input type="checkbox"/> Case to case glass end
END PANEL RIGHT	<input type="checkbox"/> Cutaway w/glass end panel	<input type="checkbox"/> No end panel (for same case to case connections) <input type="checkbox"/> Case to case glass end
REAR WRAPPING BOARD	<input type="checkbox"/> None	<input type="checkbox"/> Rear wrapping board
FRONT GLASS	<input type="checkbox"/> Curved single pane, lift-up front glass w/o lock	<input type="checkbox"/> Flat angled single pane, lift-up front glass w/o lock <input type="checkbox"/> Flat angled single pane, lift-up front glass w/lock <input type="checkbox"/> Curved single pane, lift-up front glass w/lock
UPPER REAR	<input type="checkbox"/> Clear glass rear sliding doors w/o lock	<input type="checkbox"/> Reflective glass rear sliding doors w/lock <input type="checkbox"/> Reflective glass rear sliding doors w/o lock <input type="checkbox"/> Clear glass rear sliding doors w/lock
BUMPER	<input type="checkbox"/> None	<input type="checkbox"/> 1" bumper on front (specify color)

Intended Use of Display Area: Unpackaged refrigerated products

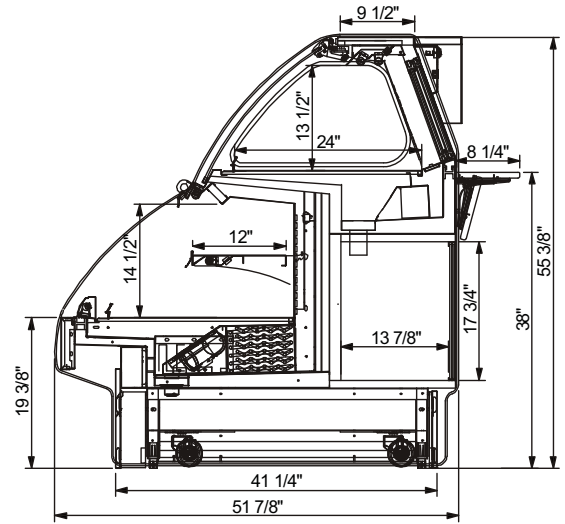
Integrated Product Temperature (IPT): 41°F

Intended Environment: Designed to operate in ambient conditions of 75°F / 55% relative humidity.

PLAN VIEW



SIDE VIEW



NOTE: ALL DIMENSIONS APPROXIMATE

⊕ ELECTRICAL JUNCTION BOX
(SUPPLIED WITH 6" LEADS OR POWER CORD).
⊕ LOCATION OF CONDENSATE DRAIN TUBE
(SUPPLIED WITH 3/4" OR 1 1/2" PVC DRAIN TUBE).

⊕ REFRIGERATION LINE CONNECTION.
⊕ REMOTE CASE SERVICE ACCESS AREA.

⊕ SELF-CONTAINED CASE SERVICE ACCESS AREA.
⊕ DRY CASE SERVICE ACCESS AREA.

Breeze™ w/ EnergyWise Refrigeration (based on Type I conditions: 75°F, 55% Relative Humidity)

Model	Self-Contained Refrigeration/Dry					Remote Refrigeration w/Leads					
	L1*	L2*	Volts++	Amps	NEMA Plug	Volts++	Amps***	BTUH	Ship Wt	Frt Cls	
GCD456R	51	0	120/1/60	21.73	NEMA 5-30P	120/1/60	3.31	4266	950	110	
GCD656R	75 3/8	0	220/1/60**	15.85	NEMA 14-20P	120/1/60	2.12	6116	1350	110	
GCD856R	99 3/4	0	220/1/60**	17.15	NEMA 14-30P	120/1/60	6.32	7100	1950	110	

++Operating range for 120 volt rating is 110-120 volts; operating range for 220 volt rating is 208-230 volts.

** Requires 3 wires + ground

*** Does not include electric defrost on freezer models

**** Energy consumption will be less under Type I conditions; Example: 10% Less on CO5978R

REGULATORY APPROVALS

- ETL Listed Certified to CAN/CSA 22.2
- ETL Sanitation Conforms to NSF 7
- ETL Listed Conforms to UL 471

Note: Information is subject to change at any time.

888 E. Porter Rd. Muskegon, MI 49441 Phone: 231.798.8888 Fax: 231.798.4960 www.structuralconcepts.com