

Refrigerated Self-Service Case - 60"H - "G-Series"

GHSS460R 51"L x 42 7/8"D x 60"H
 GHSS660R 75 3/8"L x 42 7/8"D x 60"H



MODEL SHOWN: GHSS660R

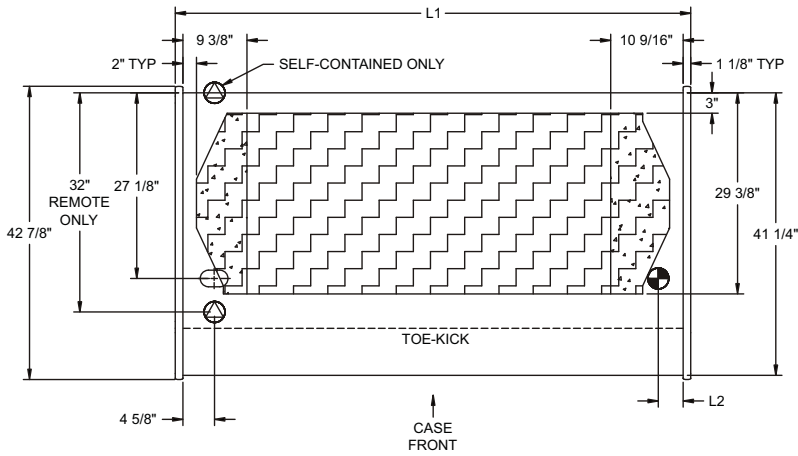
STANDARD FEATURES

- Exterior-Stainless steel rear exterior
- Light-T-8 top light(s)
- Warranty-One year parts & labor; 1-5 year compressor warranty
- Temp-Integrated average product temperature of 41°F or less
- Compressor air-Compressor air intake from rear and out front panel at toe kick. Front panel cannot be blocked.
- Shelves-Shelving removable and adjustable on 1" centers
- Front Panel-Flat front (laminated)
- Base-Foam-in-place insulated tub

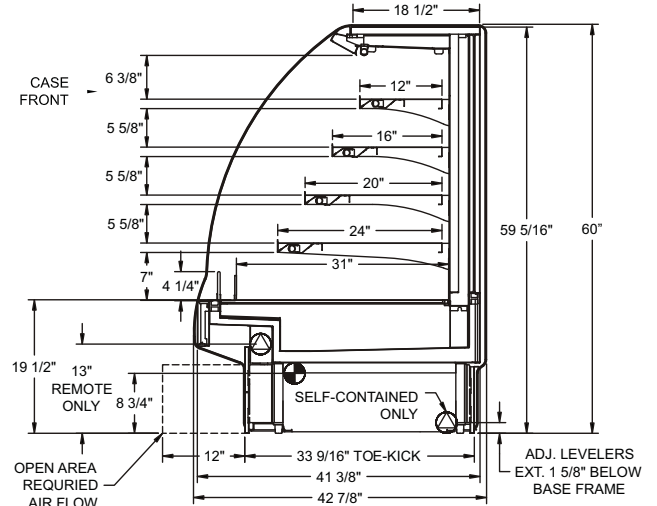
	STANDARD SPECIFICATION	OPTION(s)
ELECTRICAL CONNECT	<input type="checkbox"/> 6 ft straight blade power cord (self cont.)	<input type="checkbox"/> 6 ft locking power cord (self cont.) <input type="checkbox"/> Electrical leads (remote)
LOWER FRONT PANEL COLOR	<input type="checkbox"/> Black painted exterior	<input type="checkbox"/> Stainless steel exterior
MISCELLANEOUS	<input type="checkbox"/> None	<input type="checkbox"/> Clean Sweep® coil cleaner (n/a w/remote)
REAR LOADING DOORS	<input type="checkbox"/> None	<input type="checkbox"/> Clear glass rear sliding doors w/o lock
INTERIOR COLOR	<input type="checkbox"/> Black interior	<input type="checkbox"/> White interior <input type="checkbox"/> Stainless Steel interior
TRIM COLOR	<input type="checkbox"/> Black trim	<input type="checkbox"/> Silver trim
EXTERIOR COLOR	<input type="checkbox"/> Laminated exterior (Wilsonart/Formica non-premium)	<input type="checkbox"/> Stainless steel exterior <input type="checkbox"/> Laminated exterior (Wilsonart/Formica premium)
COVER/CURTAIN	<input type="checkbox"/> None	<input type="checkbox"/> Night curtain, retractable, non-locking <input type="checkbox"/> Wire security cover, removable, locking
REFRIGERATION	<input type="checkbox"/> Breeze™ w/ EnergyWise refrigeration system	<input type="checkbox"/> Note: Remote doesn't incl Conds unit. Floor drain reqd. <input type="checkbox"/> Remote w/TXV <input type="checkbox"/> Remote w/thermostat, solenoid & TXV
BASE SUPPORT	<input type="checkbox"/> Levelers	<input type="checkbox"/> Casters (n/a 8ft L) <input type="checkbox"/> 6"H legs (n/a 8ft L)
END PANEL LEFT	<input type="checkbox"/> Full end panel w/mirror interior (No mirror w/ss ext)	<input type="checkbox"/> Full end to match GHSSH Model <input type="checkbox"/> Cutaway w/glass end panel <input type="checkbox"/> No end panel (for same case to case connections) <input type="checkbox"/> Case to case glass end
END PANEL RIGHT	<input type="checkbox"/> Full end panel w/mirror interior (No mirror w/ss ext)	<input type="checkbox"/> Full end to match GHSSH Model <input type="checkbox"/> Cutaway w/glass end panel <input type="checkbox"/> No end panel (for same case to case connections) <input type="checkbox"/> Case to case glass end
SHELVING	<input type="checkbox"/> Solid shelves, non-lighted	<input type="checkbox"/> Solid shelves, lighted (T-8)
BUMPER	<input type="checkbox"/> None	<input type="checkbox"/> 1" bumper on front (specify color)

Intended Use of Display Area: Packaged refrigerated products
 Integrated Product Temperature (IPT): 38-41°F
 Intended Environment: Designed to operate in ambient conditions of 75°F / 55% relative humidity.

PLAN VIEW



SIDE VIEW



NOTE: ALL DIMENSIONS APPROXIMATE

⊗ ELECTRICAL JUNCTION BOX (SUPPLIED WITH 6" LEADS OR POWER CORD).
 ⊕ LOCATION OF CONDENSATE DRAIN TUBE (SUPPLIED WITH 3/4" OR 1/2" PVC DRAIN TUBE).

⊕ REFRIGERATION LINE CONNECTION.
 ⊗ REMOTE CASE SERVICE ACCESS AREA.

⊗ SELF-CONTAINED CASE SERVICE ACCESS AREA.
 ⊗ DRY CASE SERVICE ACCESS AREA.

Breeze™ w/ EnergyWise Refrigeration (based on Type I conditions: 75°F, 55% Relative Humidity)										
Self-Contained Refrigeration/Dry						Remote Refrigeration w/Leads				
Model	L1*	L2*	Volts++	Amps	NEMA Plug	Volts++	Amps***	BTUH	Ship Wt	Frt Cls
GHSS460R	51	3 5/8	220/1/60**	17.51	NEMA 14-20P	120/1/60	2.5	6872	850	110
GHSS660R	75 3/8	3 5/8	220/1/60**	21.27	NEMA 14-30P	120/1/60	3.62	11000	1250	110

++Operating range for 120 volt rating is 110-120 volts; operating range for 220 volt rating is 208-230 volts.

** Requires 3 wires + ground

*** Does not include electric defrost on freezer models

**** Energy consumption will be less under Type I conditions; Example: 10% Less on CO5978R

REGULATORY APPROVALS

- ETL Listed Certified to CAN/CSA 22.2
- ETL Sanitation Conforms to NSF 7
- ETL Listed Conforms to UL 471

Note: Information is subject to change at any time.

888 E. Porter Rd. Muskegon, MI 49441 Phone: 231.798.8888 Fax: 231.798.4960 www.structuralconcepts.com