

Refrigerated Service Single Deck Case - "G-Series"

- GLDS4R 51"L x 46 5/8"D x 51 1/4"H
- GLDS6R 75 3/8"L x 46 5/8"D x 51 1/4"H
- GLDS8R 99 3/4"L x 46 5/8"D x 51 1/4"H



MODEL SHOWN: GLDS4R

NOTE: SHOWN W/ OPTIONAL CUTAWAY END PANEL

STANDARD FEATURES

- Exterior-Stainless steel rear exterior
- Light-T-8 top light(s) (double bulbs)
- Base-Corrosion resistant stainless steel tub & fan shroud
- Warranty-One year parts & labor; 1-5 year compressor warranty
- Temp-Integrated average product temperature of 41°F or less
- Compressor air-Compressor air intake from rear and out front panel at toe kick. Front panel cannot be blocked.

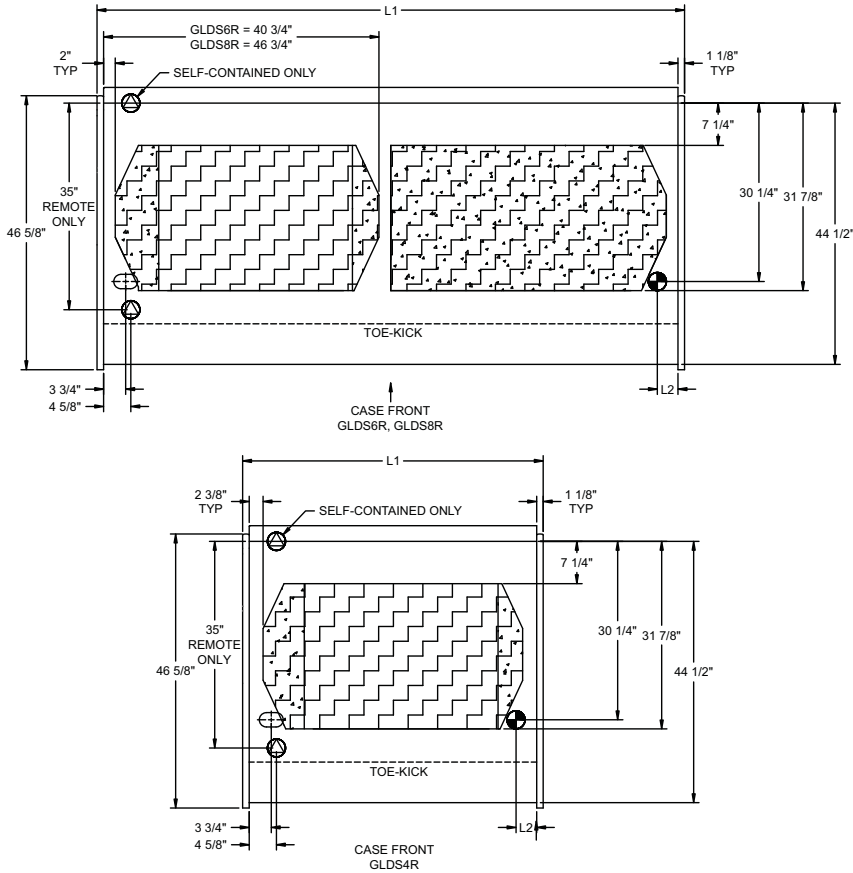
	STANDARD SPECIFICATION	OPTION(S)
CONDIMENT RAIL	<input type="checkbox"/> None	<input type="checkbox"/> Condiment rail system, stainless steel
EVAPORATOR COIL	<input type="checkbox"/> Non-coated evaporator coil	<input type="checkbox"/> Coated evaporator coil
LOWER FRONT PANEL COLOR	<input type="checkbox"/> Black painted exterior	<input type="checkbox"/> Stainless steel exterior
MISCELLANEOUS	<input type="checkbox"/> None	<input type="checkbox"/> Clean Sweep® coil cleaner (n/a w/remote)
REAR LEDGE	<input type="checkbox"/> Rear ledge, black Sanalite®	<input type="checkbox"/> Rear ledge, stainless steel <input type="checkbox"/> Rear ledge, quartz (specify color) (call for quote) <input type="checkbox"/> Rear ledge, corian (specify color) (call for quote) <input type="checkbox"/> Rear ledge, white Sanalite®
SCALE STAND	<input type="checkbox"/> None	<input type="checkbox"/> Case to case mid height scale stand w/receptacle (requires separate circuit) (specify side) <input type="checkbox"/> Top mount scale stand w/receptacle (requires separate circuit) (specify side)
INTERIOR COLOR	<input type="checkbox"/> Black interior	<input type="checkbox"/> White interior <input type="checkbox"/> Stainless Steel interior
TRIM COLOR	<input type="checkbox"/> Black trim	<input type="checkbox"/> Silver trim
EXTERIOR COLOR	<input type="checkbox"/> Laminated exterior (Wilsonart/Formica non-premium)	<input type="checkbox"/> Stainless steel exterior <input type="checkbox"/> Laminated exterior (Wilsonart/Formica premium)
REFRIGERATION	<input type="checkbox"/> Breeze™ w/ EnergyWise refrigeration system	<input type="checkbox"/> Note: Remote doesn't incl Conds unit. Floor drain reqd. <input type="checkbox"/> Remote w/TXV <input type="checkbox"/> Remote w/thermostat, solenoid & TXV
BASE SUPPORT	<input type="checkbox"/> Levelers (n/a 12ft L)	<input type="checkbox"/> 6"H legs <input type="checkbox"/> Casters
END PANEL LEFT	<input type="checkbox"/> Full end panel w/mirror interior (No mirror w/ss ext)	<input type="checkbox"/> Cutaway w/glass end panel <input type="checkbox"/> No end panel (for same case to case connections) <input type="checkbox"/> Case to case glass end
END PANEL RIGHT	<input type="checkbox"/> Full end panel w/mirror interior (No mirror w/ss ext)	<input type="checkbox"/> Cutaway w/glass end panel <input type="checkbox"/> No end panel (for same case to case connections) <input type="checkbox"/> Case to case glass end
FRONT GLASS	<input type="checkbox"/> Curved single pane, lift-up front glass w/o lock	<input type="checkbox"/> Flat angled single pane, lift-up front glass w/o lock <input type="checkbox"/> Flat angled single pane, lift-up front glass w/lock <input type="checkbox"/> Curved single pane, lift-up front glass w/lock
UPPER REAR	<input type="checkbox"/> Clear glass rear sliding doors w/o lock	<input type="checkbox"/> Open upper rear <input type="checkbox"/> Clear glass rear sliding doors w/lock
STEP/RISER	<input type="checkbox"/> None	<input type="checkbox"/> 2"H Full depth display risers (n/a w/shelf)
BUMPER	<input type="checkbox"/> None	<input type="checkbox"/> 1" bumper on front (specify color)

Intended Use of Display Area: Unpackaged refrigerated products

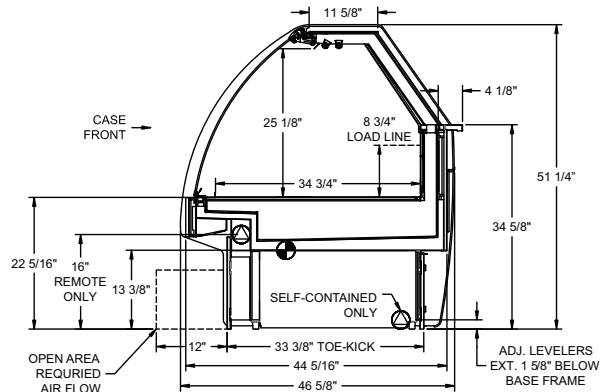
Integrated Product Temperature (IPT): 38°F

Intended Environment: Designed to operate in ambient conditions of 75°F / 55% relative humidity.

PLAN VIEW



SIDE VIEW



NOTE: ALL DIMENSIONS APPROXIMATE

- ELECTRICAL JUNCTION BOX (SUPPLIED WITH 6" LEADS OR POWER CORD).
- LOCATION OF CONDENSATE DRAIN TUBE (SUPPLIED WITH 3/4" OR 1 1/2" PVC DRAIN TUBE).

- REFRIGERATION LINE CONNECTION.
- REMOTE CASE SERVICE ACCESS AREA.

- SELF-CONTAINED CASE SERVICE ACCESS AREA.
- DRY CASE SERVICE ACCESS AREA.

Breeze™ w/ EnergyWise Refrigeration (based on Type I conditions: 75°F, 55% Relative Humidity)

Self-Contained Refrigeration/Dry						Remote Refrigeration w/Leads				
Model	L1*	L2*	Volts++	Amps	NEMA Plug	Volts++	Amps***	BTUH	Ship Wt	Frt Cls
GLDS4R	51	3 1/2	120/1/60	15.24	NEMA 5-20P	120/1/60	1.68	2563	950	110
GLDS6R	75 3/8	3 1/2	120/1/60	17.76	NEMA 5-20P	120/1/60	3.28	3915	1150	110
GLDS8R	99 3/4	3 1/2	220/1/60**	13.575	NEMA 14-20P	120/1/60	3.36	5054	1450	110

++Operating range for 120 volt rating is 110-120 volts; operating range for 220 volt rating is 208-230 volts.

** Requires 3 wires + ground

*** Does not include electric defrost on freezer models

**** Energy consumption will be less under Type I conditions; Example: 10% Less on CO5978R

REGULATORY APPROVALS

- ETL Listed Certified to CAN/CSA 22.2
- ETL Sanitation Conforms to NSF 7
- ETL Listed Conforms to UL 471

Note: Information is subject to change at any time.

888 E. Porter Rd. Muskegon, MI 49441 Phone: 231.798.8888 Fax: 231.798.4960 www.structuralconcepts.com