

Combination Prep/Refrigerated Self-Service Case (w/Rear Storage) - "G-Series"

- | | |
|----------------------------------|----------------------------|
| <input type="checkbox"/> GP441RR | 51"L x 52 1/4"D x 43"H |
| <input type="checkbox"/> GP641RR | 75 3/8"L x 52 1/4"D x 43"H |
| <input type="checkbox"/> GP841RR | 99 3/4"L x 52 1/4"D x 43"H |



MODEL SHOWN: GP441RR

STANDARD FEATURES

- Exterior-Stainless steel rear exterior
- Light-T-8 top light(s)
- Temp-Integrated average product temperature of 41°F
- Shelves-Shelving removable and adjustable on 1" centers
- Warranty-One year parts & labor; 1-5 year compressor warranty
- Compressor air-Compressor air intake from rear and out front panel at toe kick. Front panel cannot be blocked.
- Pans-Condiment pan support rails

	STANDARD SPECIFICATION	OPTION(S)
ELECTRICAL CONNECT	<input type="checkbox"/> 6 ft straight blade power cord (self cont.)	<input type="checkbox"/> 6 ft locking power cord (self cont.) <input type="checkbox"/> Electrical leads (remote)
LOWER FRONT PANEL COLOR	<input type="checkbox"/> Black painted exterior	<input type="checkbox"/> Stainless steel exterior
MISCELLANEOUS	<input type="checkbox"/> None	<input type="checkbox"/> Clean Sweep® coil cleaner (n/a w/remote)
INTERIOR COLOR	<input type="checkbox"/> Black interior	<input type="checkbox"/> Stainless Steel interior <input type="checkbox"/> White interior
EXTERIOR COLOR	<input type="checkbox"/> Laminated exterior (Wilsonart/Formica non-premium)	<input type="checkbox"/> Stainless steel exterior <input type="checkbox"/> Laminated exterior (Wilsonart/Formica premium)
COVER/CURTAIN	<input type="checkbox"/> None	<input type="checkbox"/> Night curtain, retractable, non-locking <input type="checkbox"/> Wire security cover, removable, locking
REFRIGERATION	<input type="checkbox"/> Breeze™ w/ EnergyWise refrigeration system	<input type="checkbox"/> Note: Remote doesn't incl Conds unit. Floor drain reqd. <input type="checkbox"/> Remote w/thermostat, solenoid & TXV
BASE SUPPORT	<input type="checkbox"/> Levelers	<input type="checkbox"/> 6"H legs <input type="checkbox"/> Casters
END PANEL LEFT	<input type="checkbox"/> Full end panel w/mirror interior (No mirror w/ss ext)	<input type="checkbox"/> No end panel (for same case to case connections) <input type="checkbox"/> Case to case glass end
END PANEL RIGHT	<input type="checkbox"/> Full end panel w/mirror interior (No mirror w/ss ext)	<input type="checkbox"/> No end panel (for same case to case connections) <input type="checkbox"/> Case to case glass end
REAR WORK LEDGE		<input type="checkbox"/> Rear wrapping board, stainless steel
REAR STORAGE	<input type="checkbox"/> Non-refrigerated rear storage (w/o doors)	<input type="checkbox"/> Non-refrigerated rear storage (w/doors) <input type="checkbox"/> Refrigerated rear storage (w/doors)
SHELVING	<input type="checkbox"/> Solid shelf, non-lighted	<input type="checkbox"/> Additional solid shelf, non-lighted
SNEEZE GUARD	<input type="checkbox"/> Sneeze guard posts (specify black or silver)	<input type="checkbox"/> None
BUMPER	<input type="checkbox"/> None	<input type="checkbox"/> 1" bumper on front (specify color)

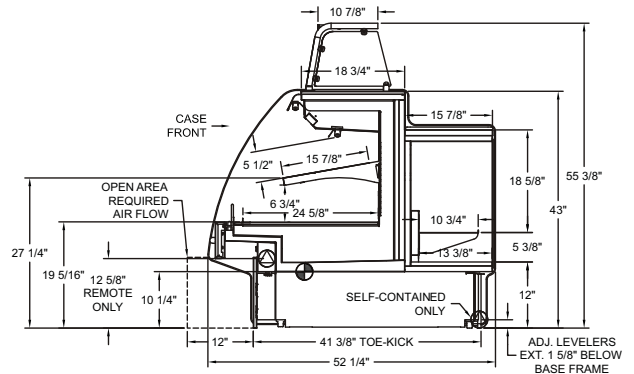
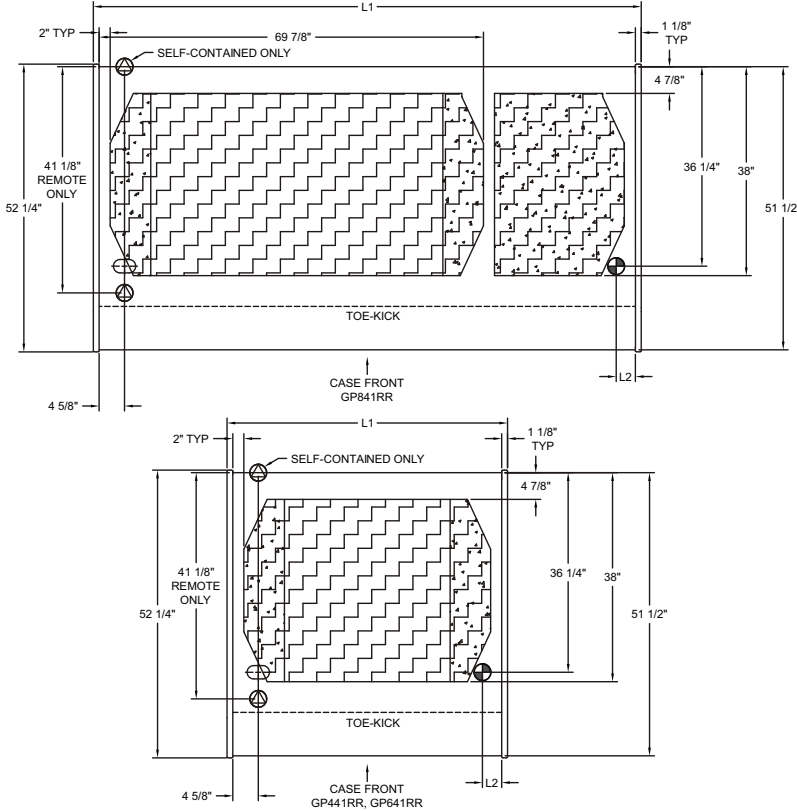
Intended Use of Display Area: Packaged/unpackaged refrigerated products

Integrated Product Temperature (IPT): 38-41°F

Intended Environment: Designed to operate in ambient conditions of 75°F / 55% relative humidity.

PLAN VIEW

SIDE VIEW



NOTE: ALL DIMENSIONS APPROXIMATE

- ELECTRICAL JUNCTION BOX (SUPPLIED WITH 6\"/>
- LOCATION OF CONDENSATE DRAIN TUBE (SUPPLIED WITH 3/4\"/>

- REFRIGERATION LINE CONNECTION.
- REMOTE CASE SERVICE ACCESS AREA.

- SELF-CONTAINED CASE SERVICE ACCESS AREA.
- DRY CASE SERVICE ACCESS AREA.

Breeze™ w/ EnergyWise Refrigeration (based on Type I conditions: 75°F, 55% Relative Humidity)

Model	Self-Contained Refrigeration/Dry					Remote Refrigeration w/Leads				
	L1*	L2*	Volts++	Amps	NEMA Plug	Volts++	Amps***	BTUH	Ship Wt	Frt Cls
GP441RR	51	3 1/2	120/1/60	22.79	NEMA 5-30P	120/1/60	3.29	3870	980	110
GP641RR	75 3/8	3 1/2	220/1/60**	16.14	NEMA 14-20P	120/1/60	3.93	5805	1350	110
GP841RR	99 3/4	3 1/2	N/A	0	N/A	120/1/60	4.45	7203	1900	110

++Operating range for 120 volt rating is 110-120 volts; operating range for 220 volt rating is 208-230 volts.

** Requires 3 wires + ground

*** Does not include electric defrost on freezer models

**** Energy consumption will be less under Type I conditions; Example: 10% Less on CO5978R

REGULATORY APPROVALS

- ETL Listed Certified to CAN/CSA 22.2
- ETL Sanitation Conforms to NSF 7
- ETL Listed Conforms to UL 471

Note: Information is subject to change at any time.

888 E. Porter Rd. Muskegon, MI 49441 Phone: 231.798.8888 Fax: 231.798.4960 www.structuralconcepts.com