

Refrigerated Self-Service Drop-In Counter Case

- DO3637R 38 1/8"L x 28 5/8"D x 61 1/4"H
- DO4837R 50 1/8"L x 28 5/8"D x 61 1/4"H



MODEL SHOWN: DO4837

STANDARD FEATURES

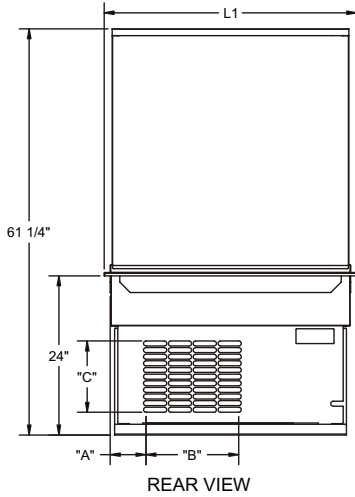
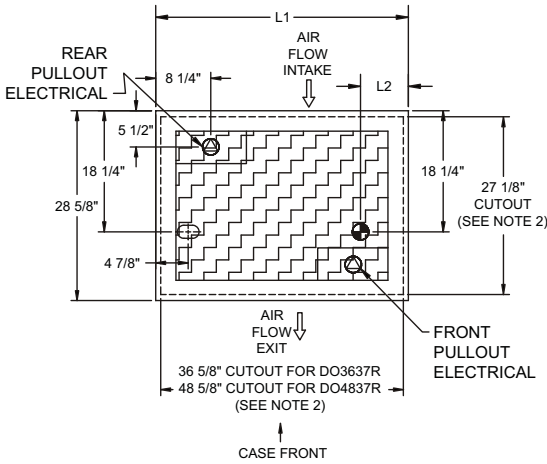
- Light-T-8 top light(s)
- Evaporator pan-Condensate pan (self-contained refig. only)
- Warranty-One year parts & labor; 1-5 year compressor warranty
- Temp-Integrated average product temperature of 41°F
- Compressor air-Compressor air rear intake, rear discharge
- Shelves-Shelving removable and adjustable on 1" centers
- Ends-Glass end

	STANDARD SPECIFICATION	OPTION(s)
ELECTRICAL CONNECT	<input type="checkbox"/> 6 ft straight blade power cord (self cont.)	<input type="checkbox"/> Electrical leads (remote)
UPPER REAR	<input type="checkbox"/> Solid back panel	<input type="checkbox"/> Clear glass rear swinging doors w/o lock <input type="checkbox"/> Clear glass rear swinging doors w/lock <input type="checkbox"/> Clear glass rear sliding doors w/lock <input type="checkbox"/> Clear glass rear sliding doors w/o lock
INTERIOR COLOR	<input type="checkbox"/> Black interior	<input type="checkbox"/> Stainless steel interior
EXTERIOR COLOR	<input type="checkbox"/> Black exterior	<input type="checkbox"/> Stainless steel exterior
COVER/CURTAIN	<input type="checkbox"/> None	<input type="checkbox"/> Solid security cover, removable, locking <input type="checkbox"/> Roll down security cover, locking (inc. ht. 6") <input type="checkbox"/> Night curtain, retractable, non-locking
REFRIGERATION	<input type="checkbox"/> Breeze™ w/ EnergyWise refrigeration system w/ evap pan (rear access/ventilation)	<input type="checkbox"/> Breeze™ w/ EnergyWise refrigeration (w/o evap pan). Floor drain reqd <input type="checkbox"/> Breeze™ w/ EnergyWise refrigeration system (front access/ventilation) <input type="checkbox"/> Note: Remote doesn't incl Conds unit. Floor drain reqd. <input type="checkbox"/> Remote w/thermostat, solenoid & TXV <input type="checkbox"/> Remote w/TXV
SHELVING	<input type="checkbox"/> Solid shelves, non-lighted	<input type="checkbox"/> Solid shelves, lighted (T-8)

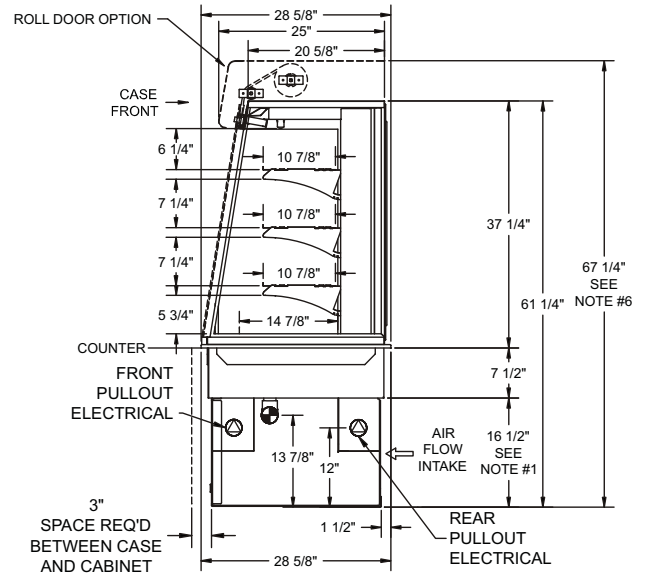
# PRODUCT SPECIFICATIONS

Intended Use of Display Area: Packaged/unpackaged refrigerated products  
 Integrated Product Temperature (IPT): 41°F  
 Intended Environment: Designed to operate in ambient conditions of 75°F / 55% relative humidity.

## PLAN VIEW



## SIDE VIEW



### NOTES

- 16 1/2" TALL, FULL WIDTH OF CASE. OPENING IN BACK OF CABINET OR COUNTER IS REQUIRED TO PULL OUT REFRIGERATION SYSTEM.
- REPRESENTS CUTOUT SIZE IN CABINET FOR CASE TO DROP IN TO. SQUARE CORNERS ON CUTOUTS.
- BACK OF COUNTER / CABINET MUST BE VENTED PROPERLY FOR ADEQUATE AIRFLOW TO CONDENSOR.
- EXIT VENT IN FRONT OF CABINET IS PREFERRED. IF NOT PROVIDED, AIR VENT MUST BE SURE NOT TO MIX WITH INTAKE AIR.
- AIR FLOW INTAKE AND EXIT DETAILS ARE REVERSED WITH FRONT PULLOUT REFRIGERATION OPTION.
- ROLL DOWN SECURITY COVER INCREASES HEIGHT OF CASE BY 6".

### NOTE: ALL DIMENSIONS APPROXIMATE

- ELECTRICAL JUNCTION BOX (SUPPLIED WITH 6" LEADS OR POWER CORD).
- REMOTE CASE SERVICE ACCESS AREA.
- LOCATION OF CONDENSATE DRAIN TUBE (SUPPLIED WITH 3/4" OR 1 1/2" PVC DRAIN TUBE).
- SELF-CONTAINED CASE SERVICE ACCESS AREA.
- REFRIGERATION LINE CONNECTION.
- DRY CASE SERVICE ACCESS AREA.

### Self-Contained Refrigeration With Evaporator Pan

Model	Self-Contained Refrigeration/Dry					Remote Refrigeration w/Leads				Ship Wt	Frt Cls
	L1*	L2*	Volts++	Amps	NEMA Plug	Volts++	Amps***	BTUH			
DO3637R	38 1/8	4 7/8	220/1/60**	12.4	14-20P	120/1/60	6.1	4350	720	110	
DO4837R	50 1/8	4 7/8	220/1/60**	12.6	14-20P	120/1/60	10.5	4500	780	110	

### Self-Contained Refrigeration Without Evaporator Pan

Model	Self-Contained Refrigeration/Dry					Remote Refrigeration w/Leads				Ship Wt	Frt Cls
	L1*	L2*	Volts++	Amps	NEMA Plug	Volts++	Amps***	BTUH			
DO3637R	38 1/8	4 7/8	120/1/60	12.5	5-20P	120/1/60	2.0	4350	720	110	
DO4837R	50 1/8	4 7/8	120/1/60	12.7	5-20P	120/1/60	2.2	4500	780	110	

+Operating range for 120 volt rating is 110-120 volts; operating range for 220 volt rating is 208-230 volts.

\*\* Requires 3 wires + ground

\*\*\* Does not include electric defrost on freezer models

### REGULATORY APPROVALS

- ETL Listed Certified to CAN/CSA 22.2
- ETL Sanitation Conforms to NSF 7
- ETL Listed Conforms to UL 471

### Important Notes:

If Rear Pullout, back side of counter must be open or vented the full length of the unit to allow proper ventilation of the refrigeration system  
 If Front Pullout, front side of counter must be open or vented the full length of the unit to allow proper ventilation of the refrigeration system